



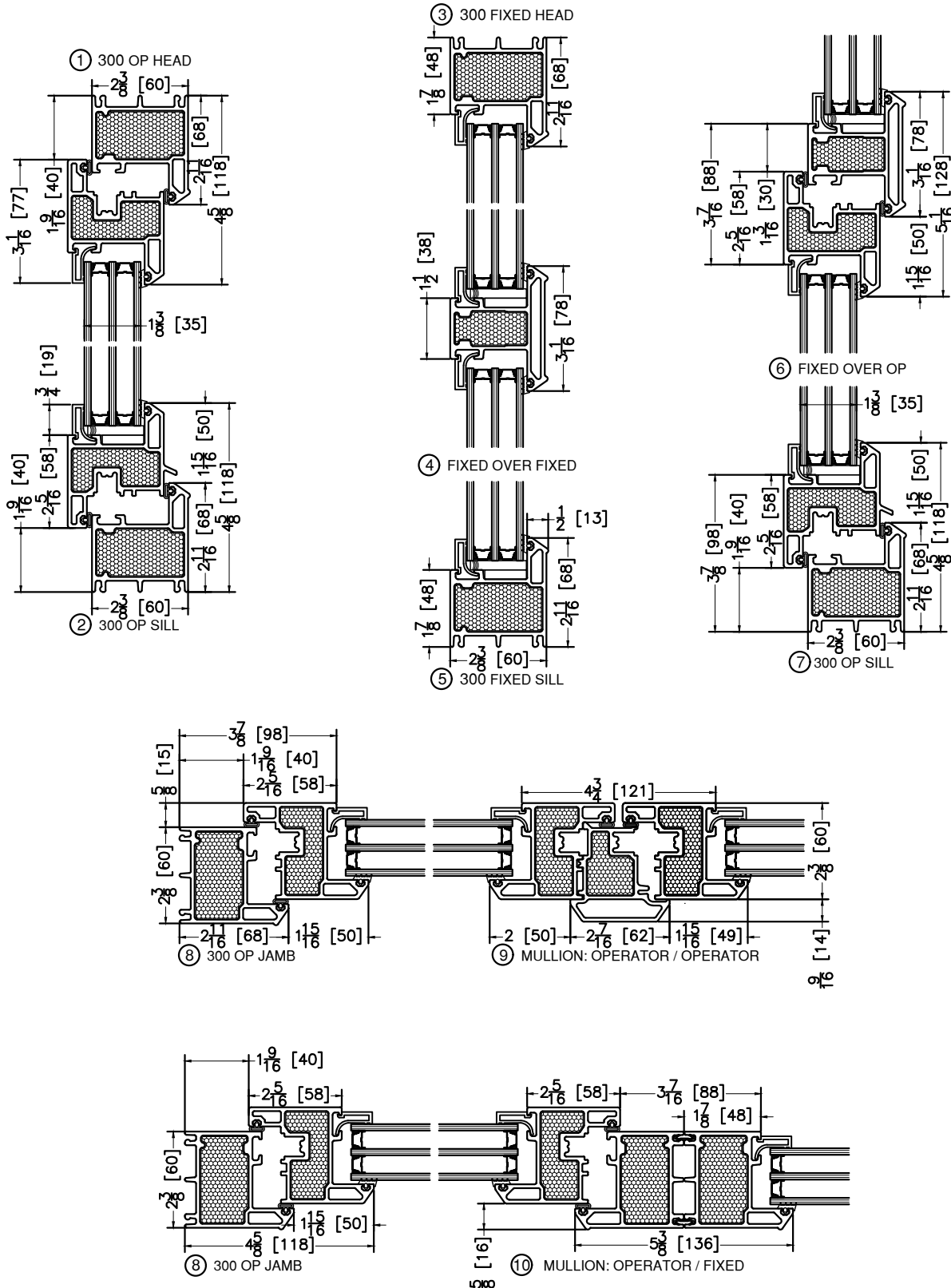
Series 300 Fiberglass Windows

Tilt & Turn, Fixed
Inswing Awning & Casement

45 Higgins Ave.
Winnipeg MB R3B 0A8
Tel. 1-204-339-6456
Fax 1-204-334-1800
www.duxtonwindows.com

Triple Pane Section Drawings

Rough openings are 1/2" typical all around





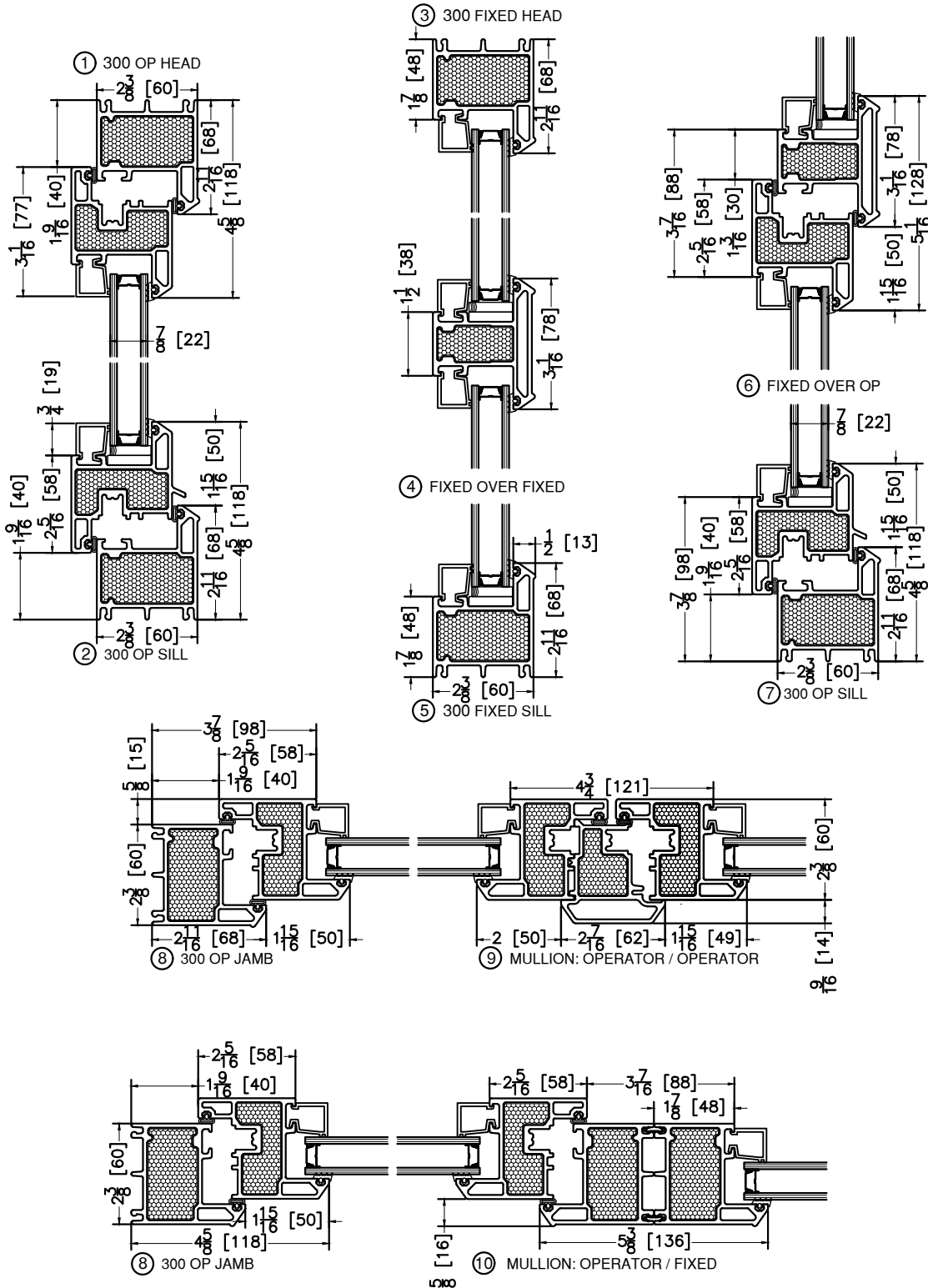
Series 300 Fiberglass Windows

Tilt & Turn, Fixed
Inswing Awning & Casement

45 Higgins Ave.
Winnipeg MB R3B 0A8
Tel. 1-204-339-6456
Fax 1-204-334-1800
www.duxtonwindows.com

Dual Pane Section Drawings

Rough openings are 1/2" typical all around



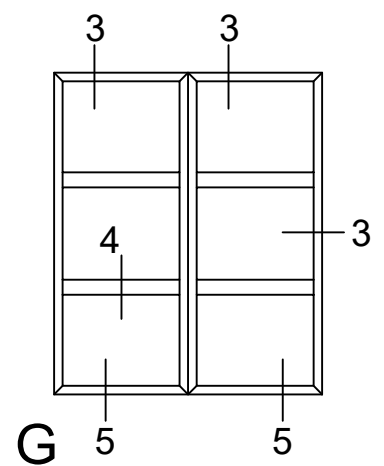
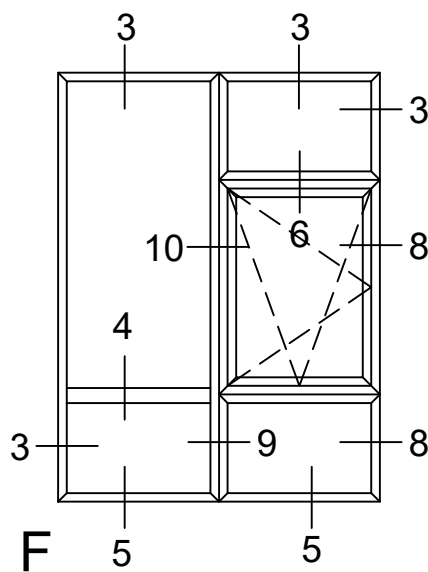
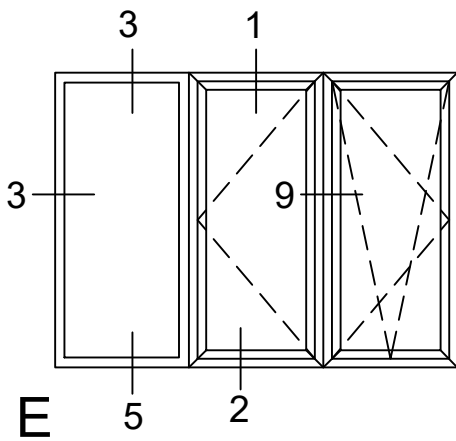
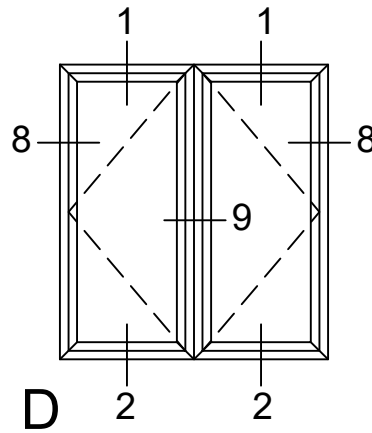
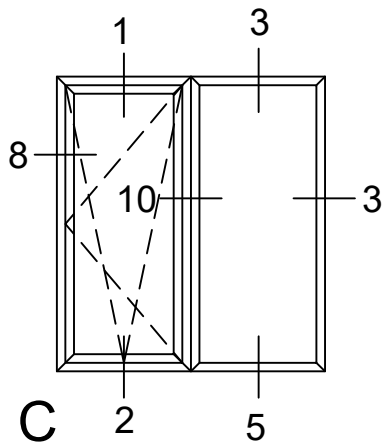
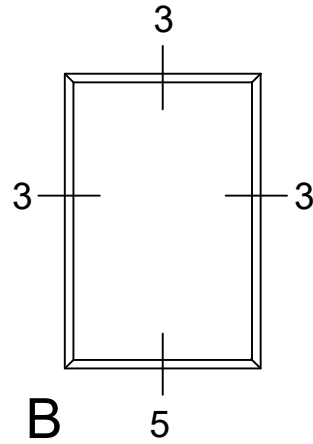
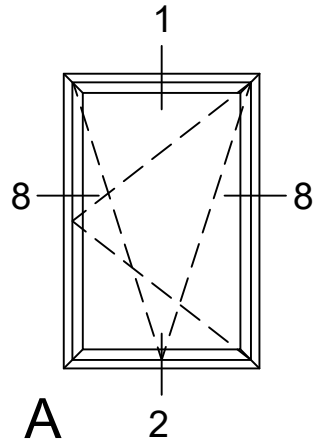


Series 300 Fiberglass Windows

Tilt & Turn, Fixed
Inswing Awning & Casement

45 Higgins Ave.
Winnipeg MB R3B 0A8
Tel. 1-204-339-6456
Fax 1-204-334-1800
www.duxtonwindows.com

Typical Elevations





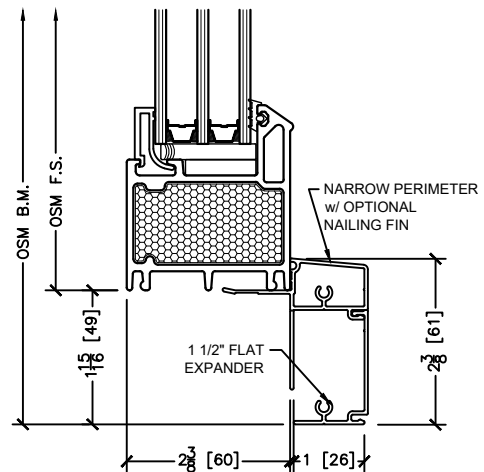
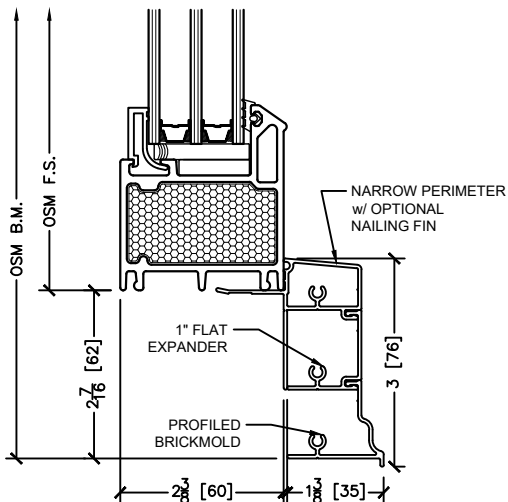
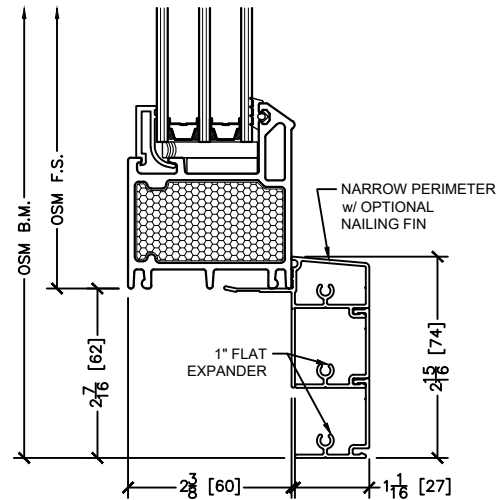
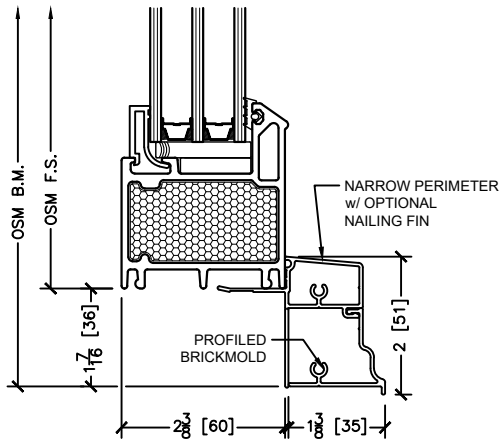
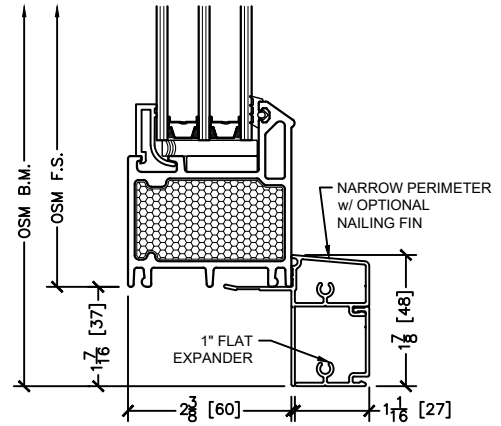
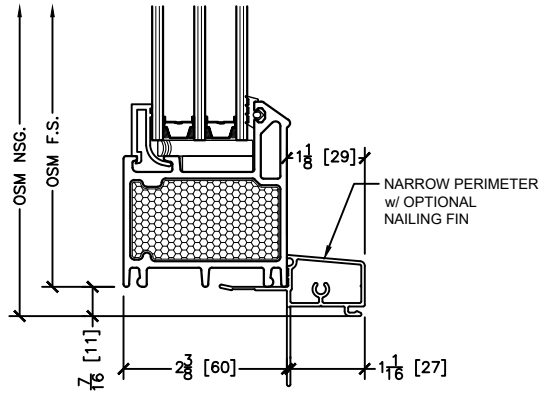
Series 300 Fiberglass Windows

Tilt & Turn, Fixed
Inswing Awning & Casement

45 Higgins Ave.
Winnipeg MB R3B 0A8
Tel. 1-204-339-6456
Fax 1-204-334-1800
www.duxtonwindows.com

Triple Pane Narrow Perimeter w/ Brickmold Options

Rough openings are 1/2" typical all around





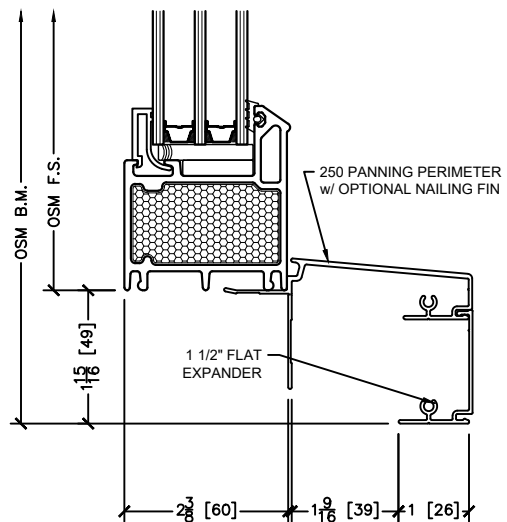
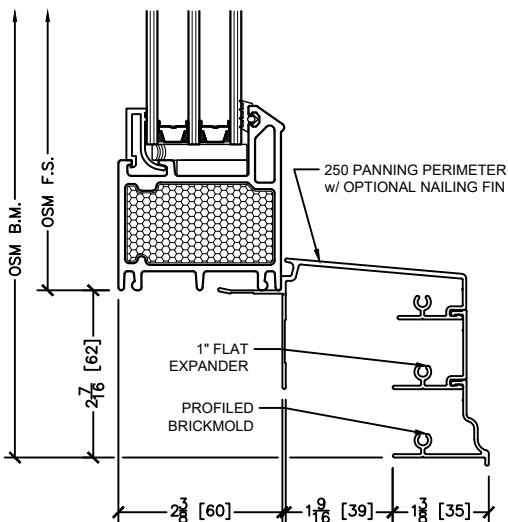
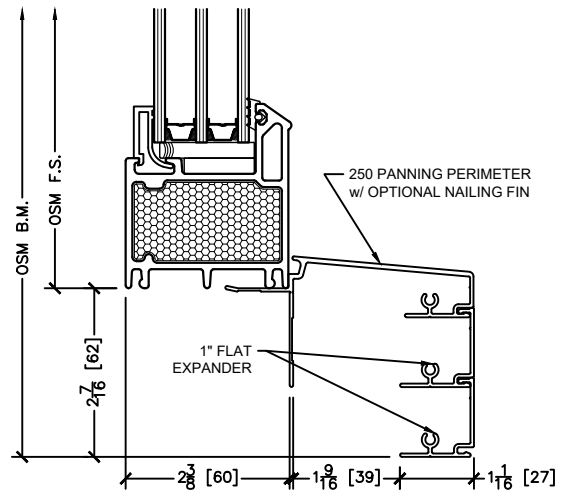
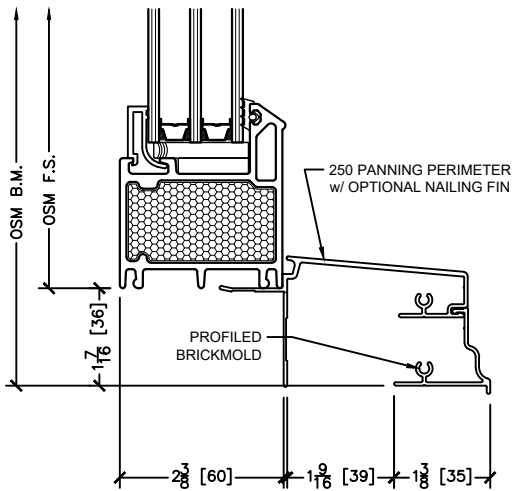
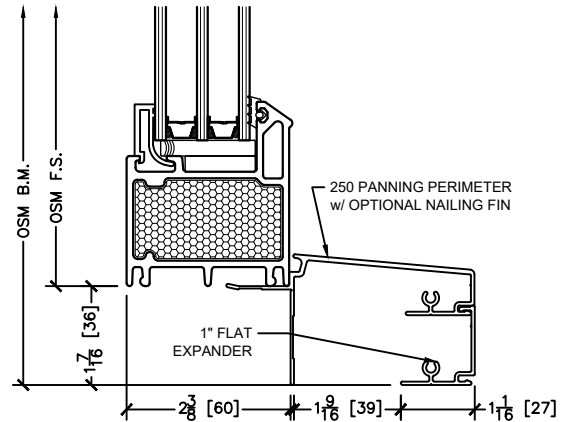
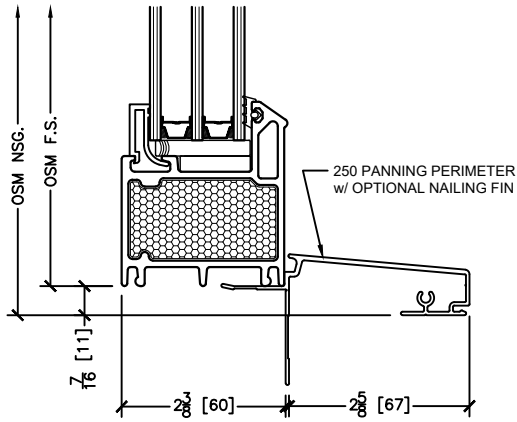
Series 300 Fiberglass Windows

Tilt & Turn, Fixed
Inswing Awning & Casement

45 Higgins Ave.
Winnipeg MB R3B 0A8
Tel. 1-204-339-6456
Fax 1-204-334-1800
www.duxtonwindows.com

Triple Pane 250 Panning Perimeter w/ Brickmold Options

Rough openings are 1/2" typical all around





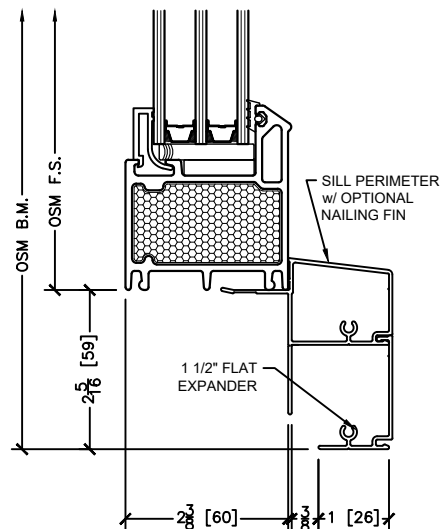
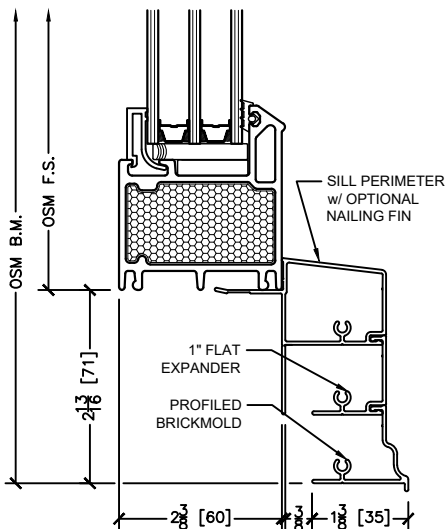
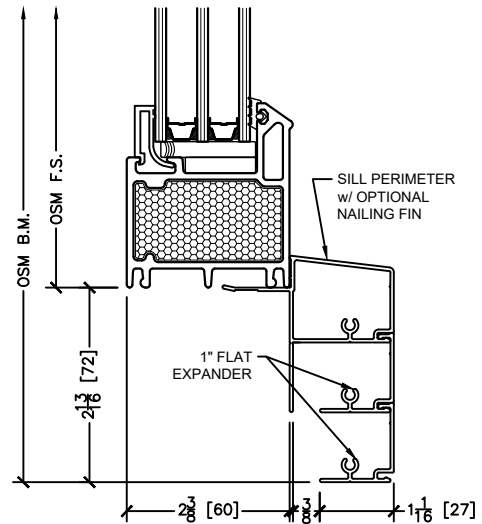
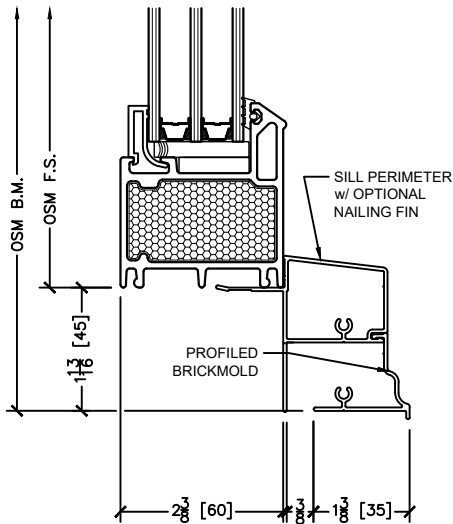
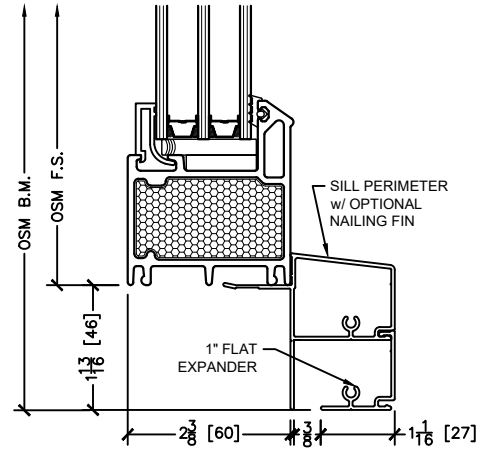
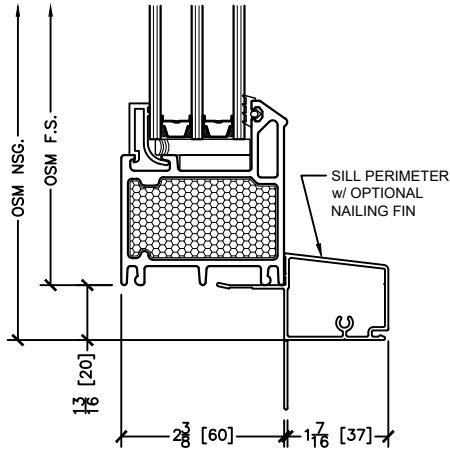
Series 300 Fiberglass Windows

Tilt & Turn, Fixed
Inswing Awning & Casement

45 Higgins Ave.
Winnipeg MB R3B 0A8
Tel. 1-204-339-6456
Fax 1-204-334-1800
www.duxtonwindows.com

Triple Pane Sill Perimeter w/ Brickmold Options

Rough openings are 1/2" typical all around





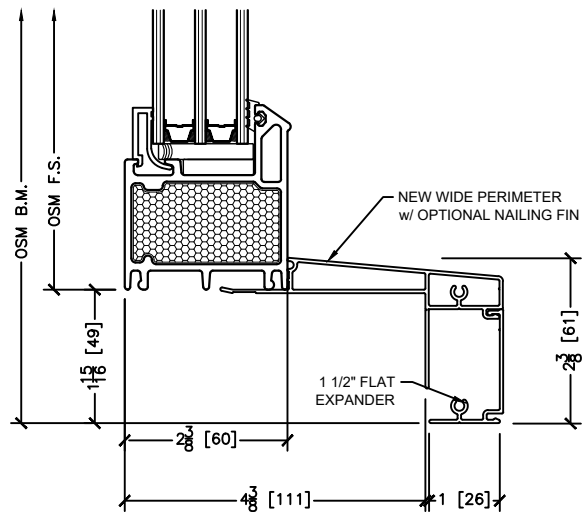
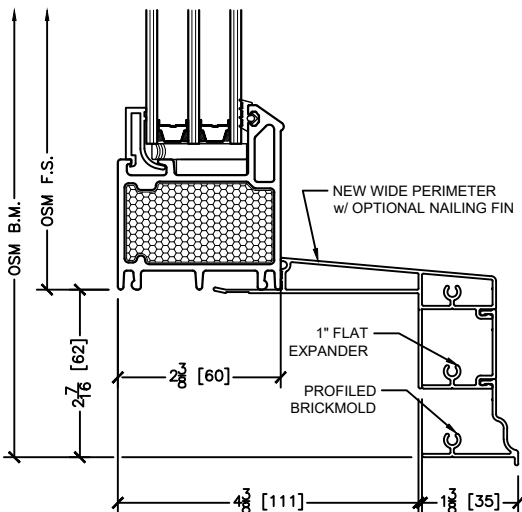
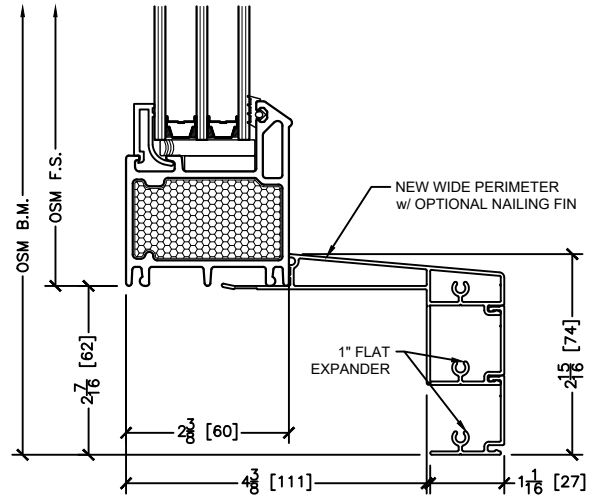
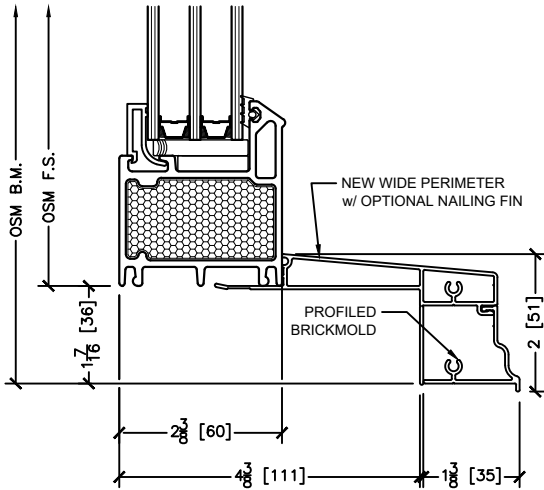
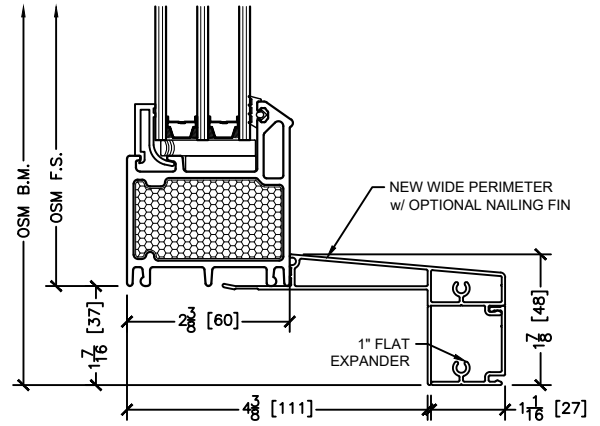
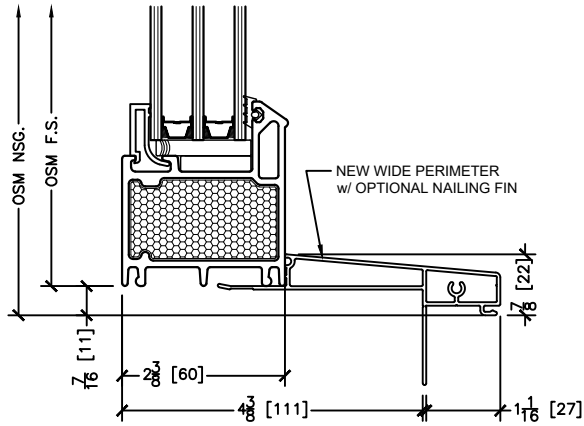
Series 300 Fiberglass Windows

Tilt & Turn, Fixed
Inswing Awning & Casement

45 Higgins Ave.
Winnipeg MB R3B 0A8
Tel. 1-204-339-6456
Fax 1-204-334-1800
www.duxtonwindows.com

Triple Pane New Wide Perimeter w/ Brickmold Options

Rough openings are 1/2" typical all around





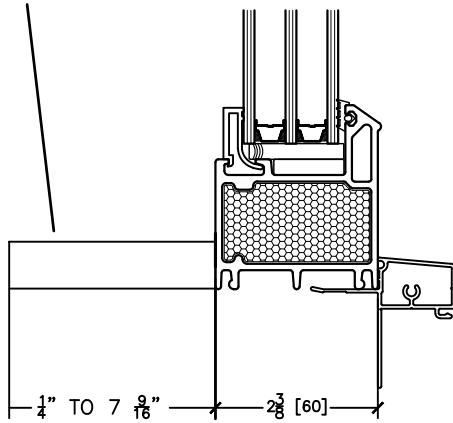
Series 300 Fiberglass Windows

Tilt & Turn, Fixed
Inswing Awning & Casement

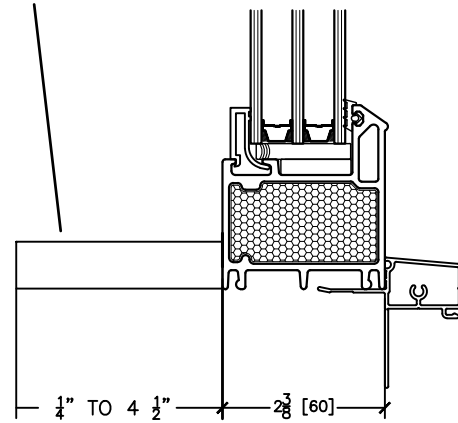
45 Higgins Ave.
Winnipeg MB R3B 0A8
Tel. 1-204-339-6456
Fax 1-204-334-1800
www.duxtonwindows.com

Jamb & Interior Options

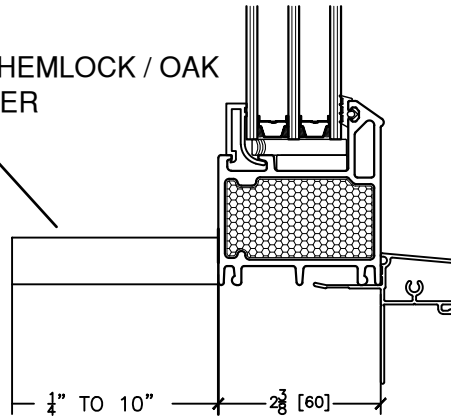
CELLULAR JAMB LINER



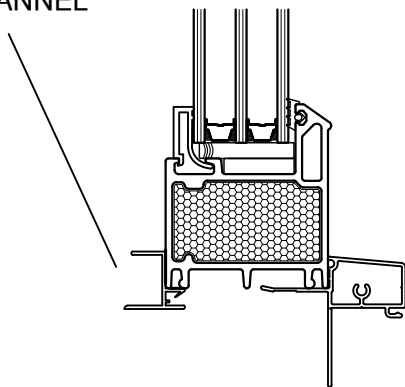
PCH JAMB LINER



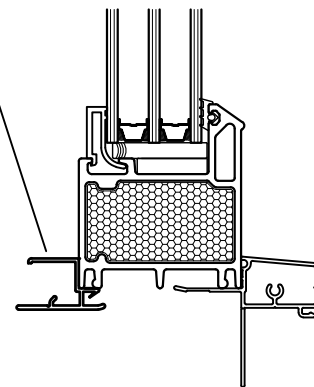
PACIFIC COAST HEMLOCK / OAK
WOOD JAMB LINER



3/4\" WHITE
DRYWALL RETURN
U-CHANNEL



NEW DUAL PURPOSE
1/2\" AND 5/8\" WHITE
DRYWALL RETURN
U-CHANNEL





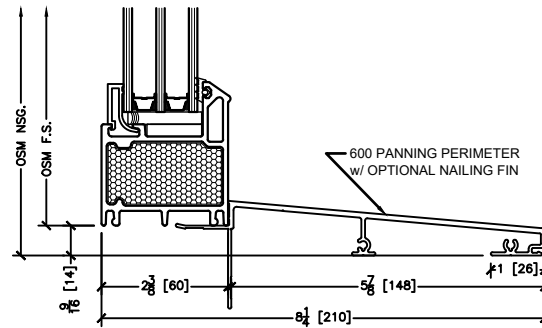
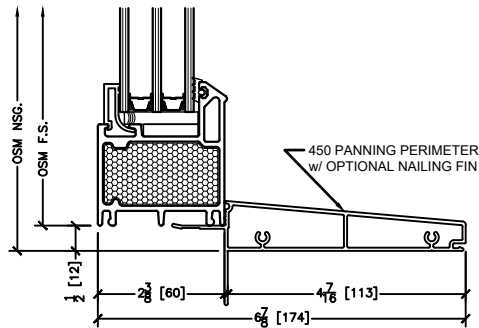
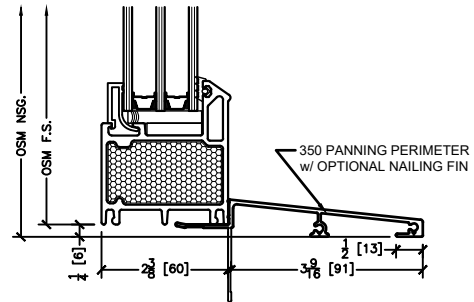
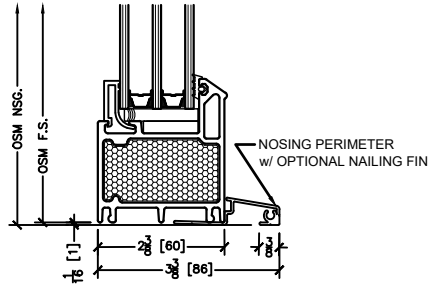
Series 300 Fiberglass Windows

Tilt & Turn, Fixed
Inswing Awning & Casement

45 Higgins Ave.
Winnipeg MB R3B 0A8
Tel. 1-204-339-6456
Fax 1-204-334-1800
www.duxtonwindows.com

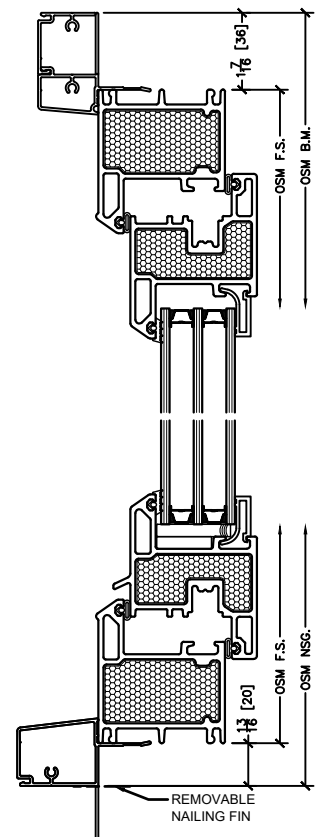
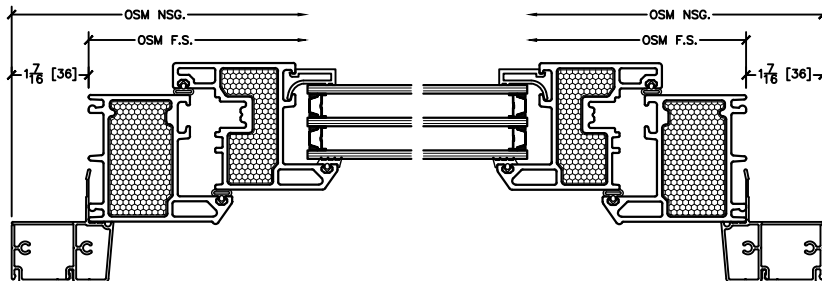
Other Perimeter Options

Rough openings are 1/2" typical all around



NARROW PERIMETER w/ SILL

NARROW PERIMETER WITH 1" FLAT EXPANDER (HEAD/JAMB)
SILL ON BOTTOM, NAILING FLANGE REMOVED ON SITE
USED IN CONJUNCTION TO REPLACE WOOD WINDOWS WITH A SILL DETAIL





Series 300 Fiberglass Windows

Tilt & Turn, Fixed
Inswing Awning & Casement

45 Higgins Ave.
Winnipeg MB R3B 0A8
Tel. 1-204-339-6456
Fax 1-204-334-1800
www.duxtonwindows.com

Installation Clip

- A. CORNER ANCHORS – SECURE APPROXIMATELY 4” FROM THE CORNERS
- B. PERIMETER ANCHORS – SPACING SHOULD NOT EXCEED 24” APART CENTER TO CENTER
- C. MULLION AND TRANSOM ANCHORS – ALWAYS ANCHOR WITHIN 4” OF MULLION OR TRANSOM

