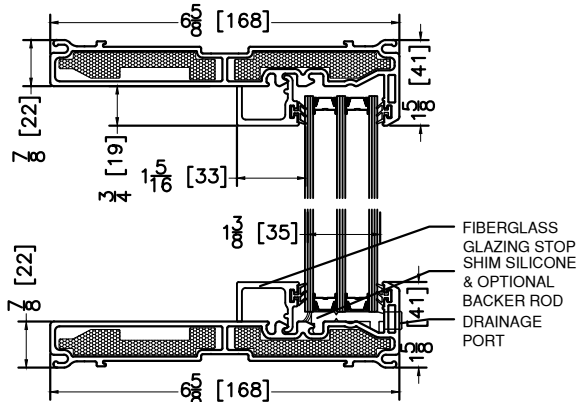


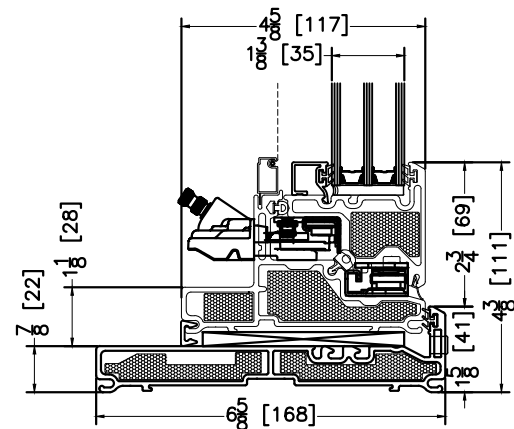
Triple Pane Section Drawings

Rough openings are 1/2" typical all around

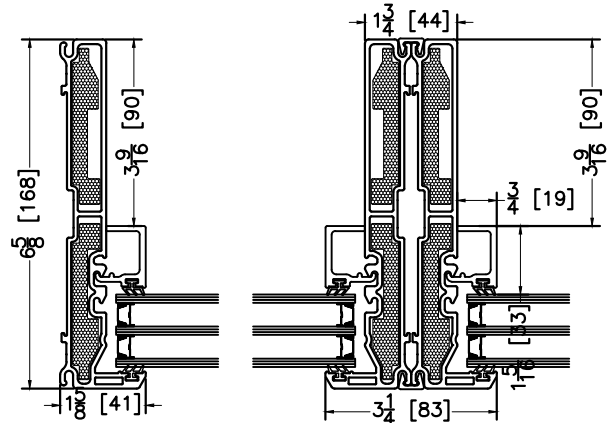
① FIXED HEAD



② FIXED SILL

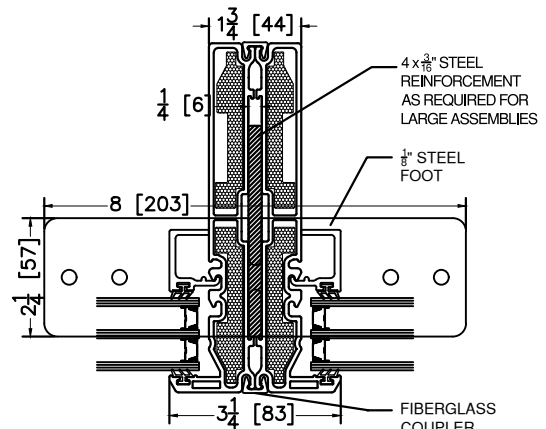


⑤ OPERATOR SILL

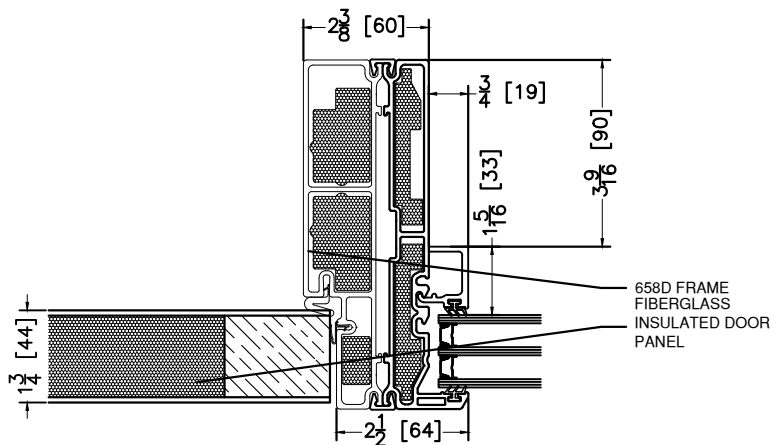


③ FIXED JAMB

④ MULLION: FIXED / FIXED

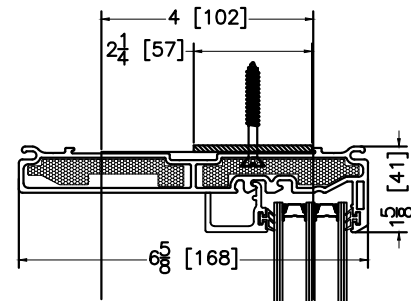


⑥ MULLION: FIXED / FIXED



⑦ MULLION: 658D DOOR / FIXED WINDOW

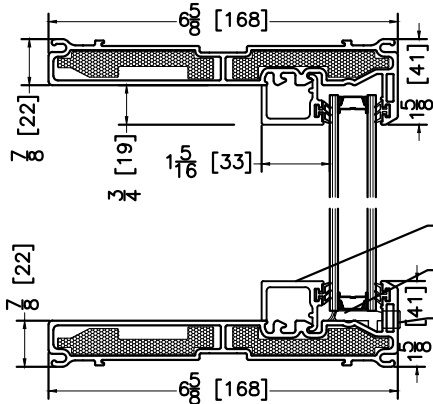
⑧ FIXED REINFORCED HEAD



Dual Pane Section Drawings

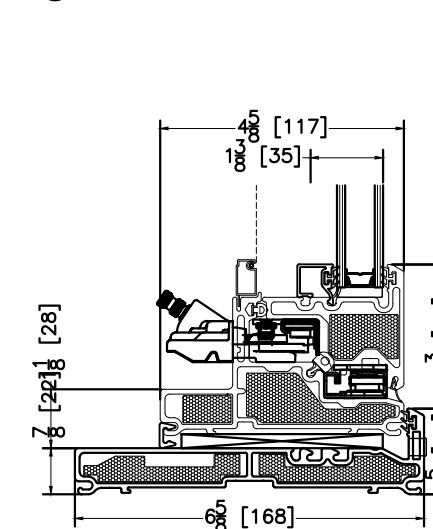
Rough openings are 1/2" typical all around

① FIXED HEAD

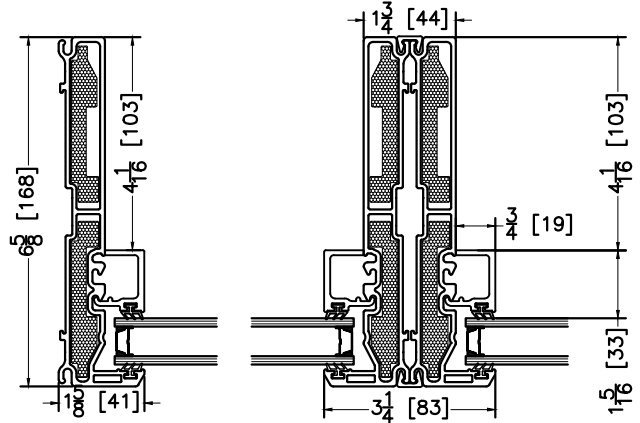


FIBERGLASS
GLAZING STOP
SHIM SILICONE
& OPTIONAL
BACKER ROD
DRAINAGE
PORT

② FIXED SILL

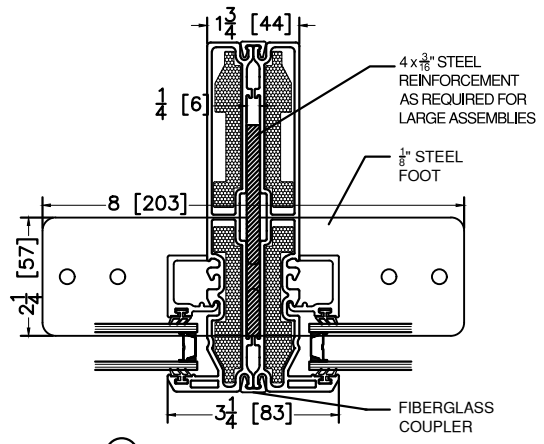


⑤ OPERATOR SILL

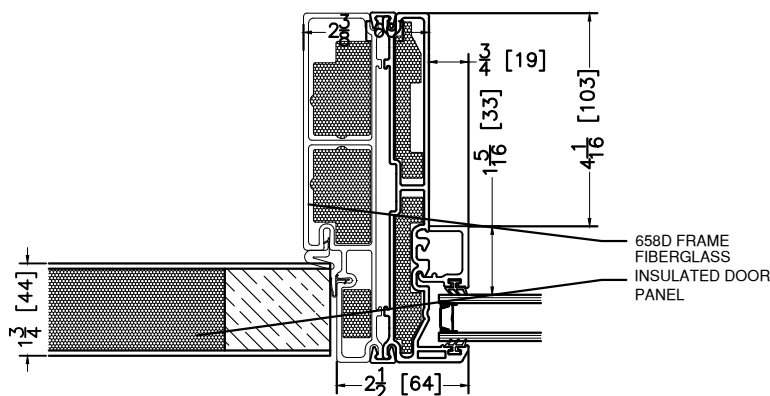


③ FIXED JAMB

④ MULLION: FIXED / FIXED

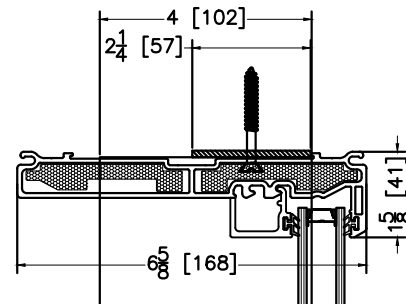


⑥ MULLION: FIXED / FIXED



⑦ MULLION: 658D DOOR / FIXED WINDOW

⑧ FIXED REINFORCED HEAD



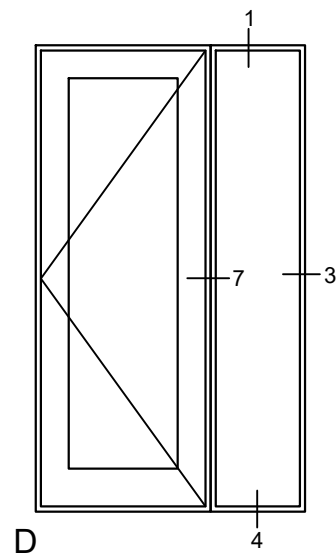
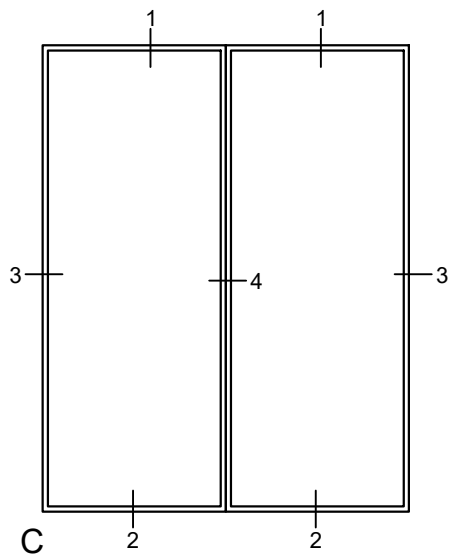
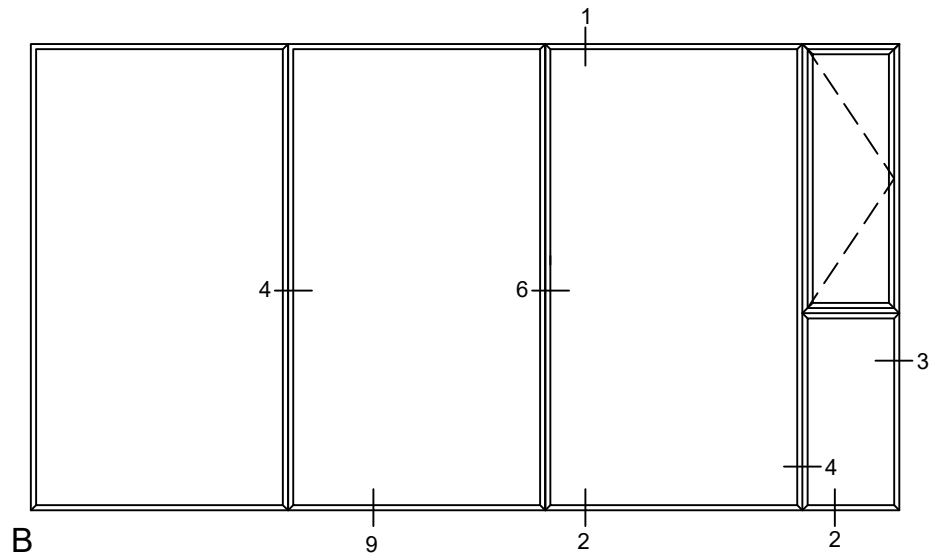
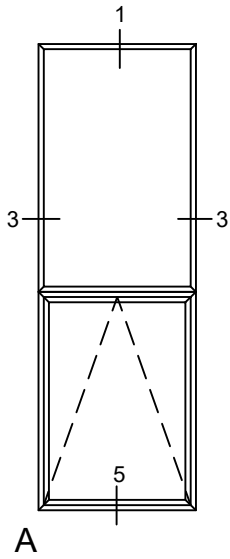


Series 658 Fiberglass Windows

FiberWall™ Fixed

45 Higgins Ave.
Winnipeg MB R3B 0A8
Tel. 1-204-339-6456
Fax 1-204-334-1800
www.duxtonwindows.com

Typical Elevation





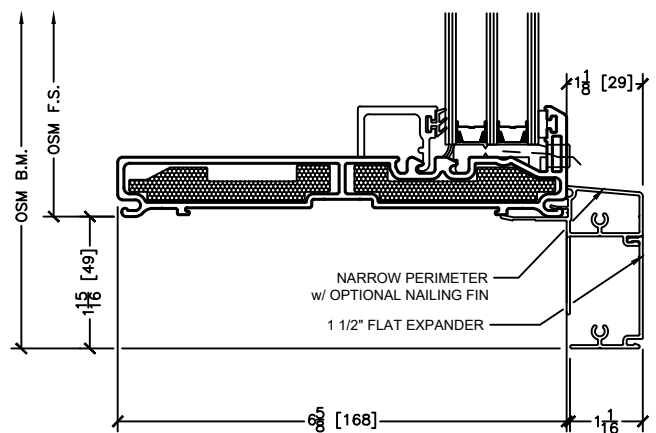
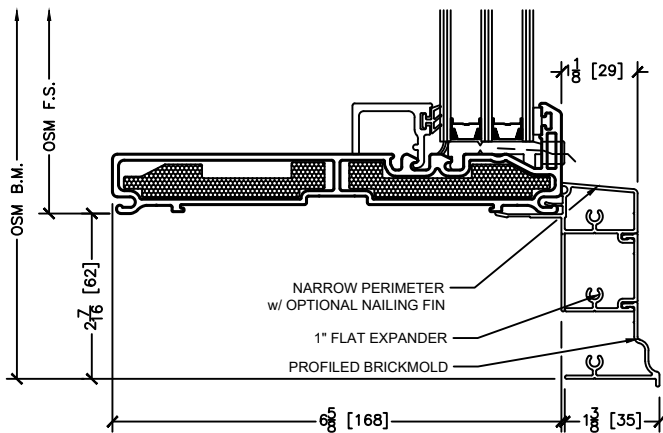
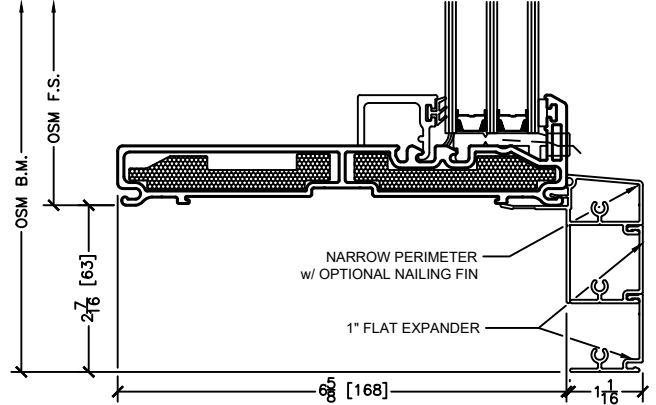
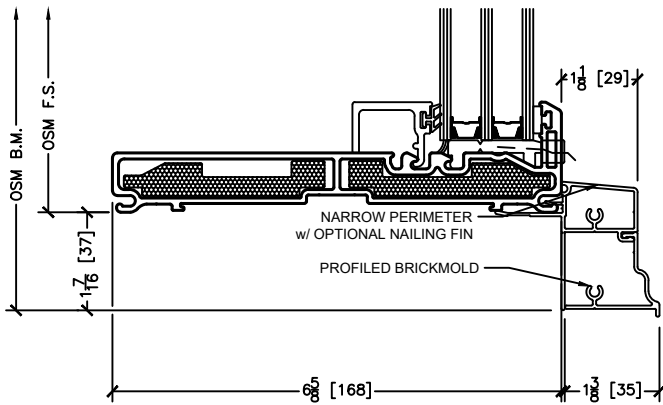
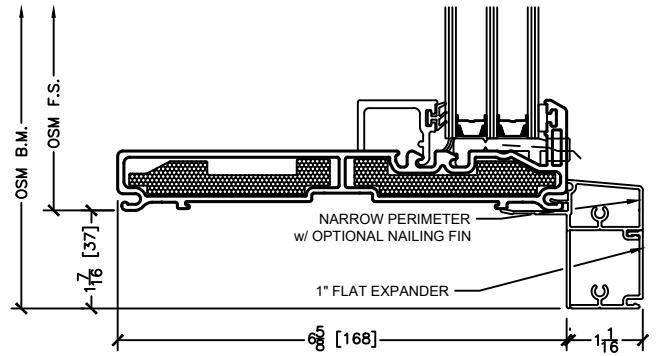
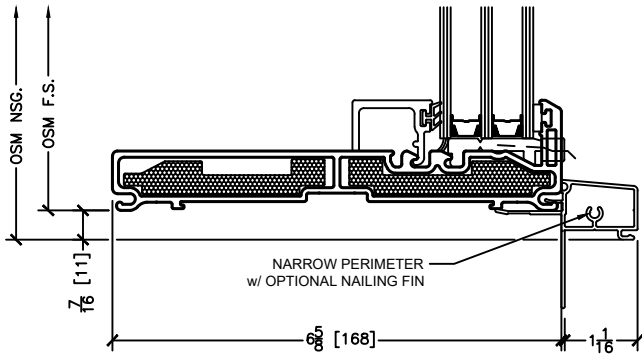
Series 658 Fiberglass Windows

FiberWall™ Fixed

45 Higgins Ave.
Winnipeg MB R3B 0A8
Tel. 1-204-339-6456
Fax 1-204-334-1800
www.duxtonwindows.com

Triple Pane Narrow Perimeter w/ Brickmold Options

Rough openings are 1/2" typical all around





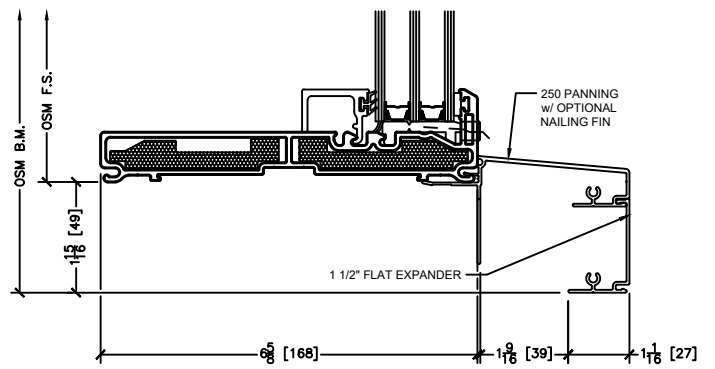
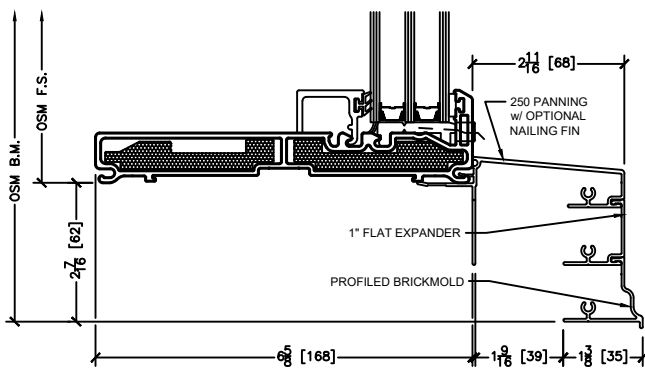
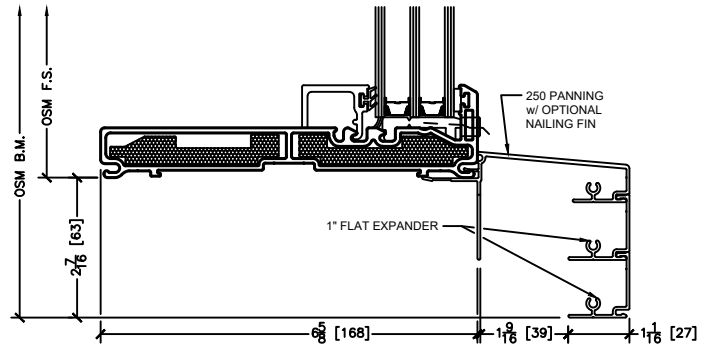
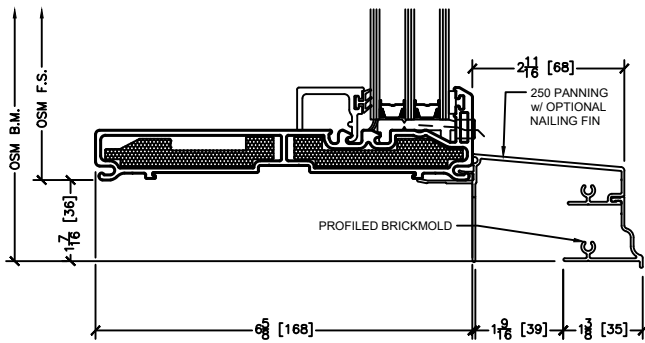
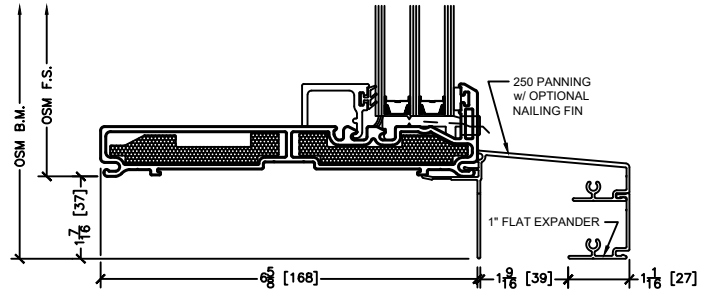
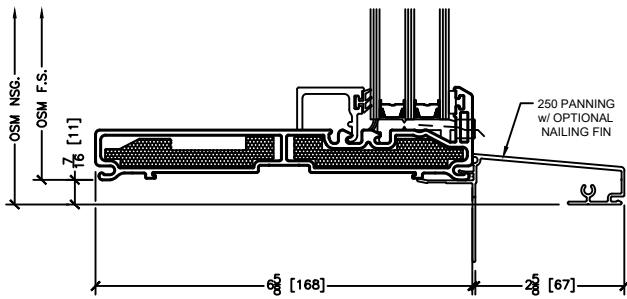
Series 658 Fiberglass Windows

FiberWall™ Fixed

45 Higgins Ave.
Winnipeg MB R3B 0A8
Tel. 1-204-339-6456
Fax 1-204-334-1800
www.duxtonwindows.com

Triple Pane 250 Panning Perimeter w/ Brickmold Options

Rough openings are 1/2" typical all around





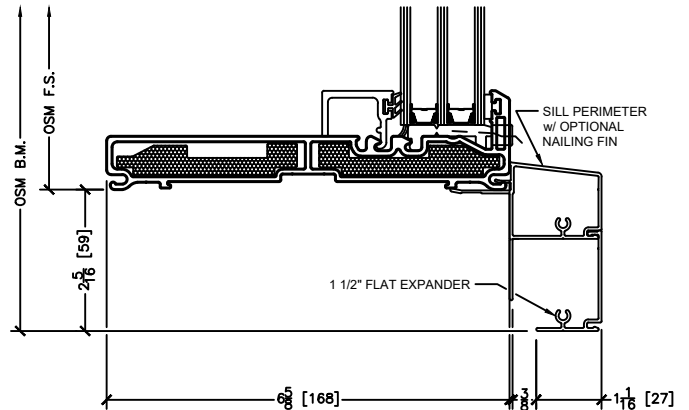
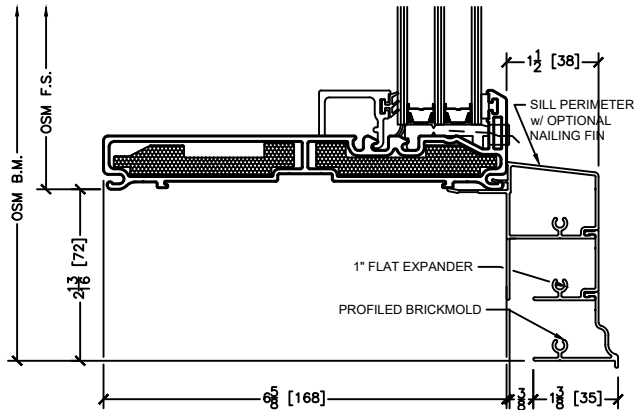
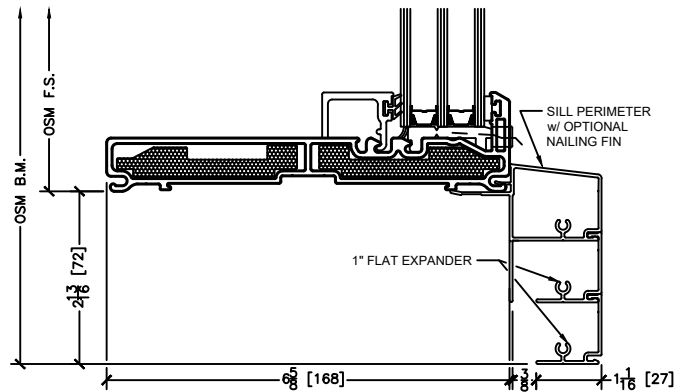
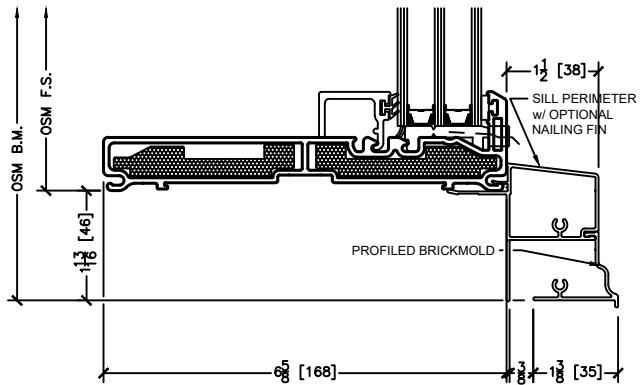
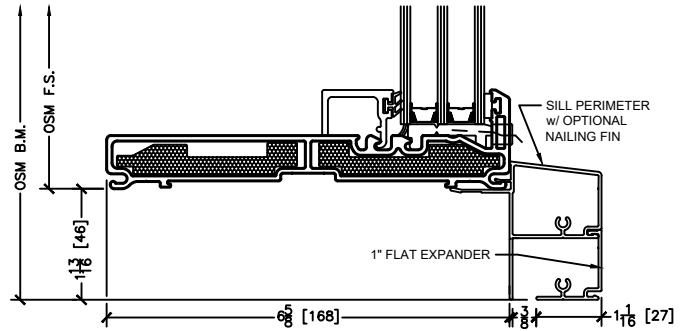
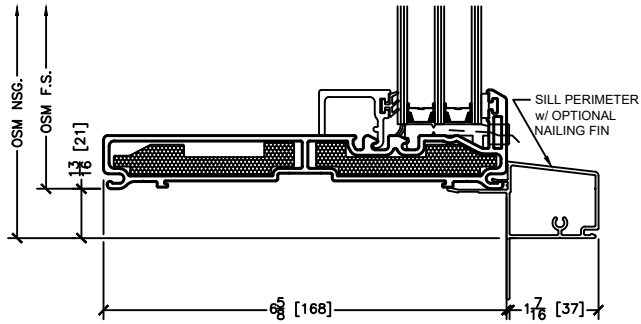
Series 658 Fiberglass Windows

FiberWall™ Fixed

45 Higgins Ave.
Winnipeg MB R3B 0A8
Tel. 1-204-339-6456
Fax 1-204-334-1800
www.duxtonwindows.com

Triple Pane Sill Perimeter w/ Brickmold Options

Rough openings are 1/2" typical all around





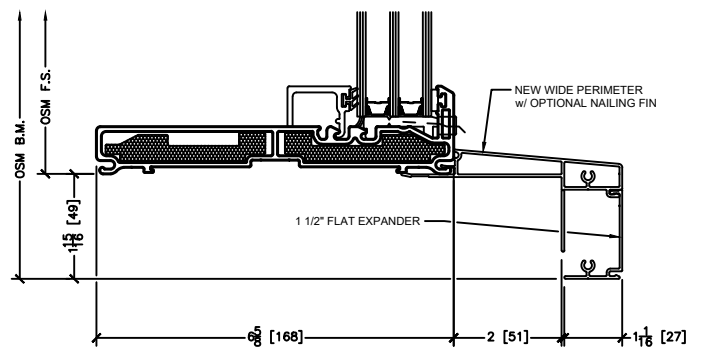
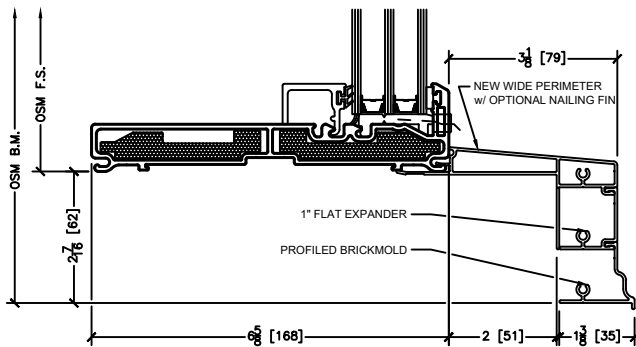
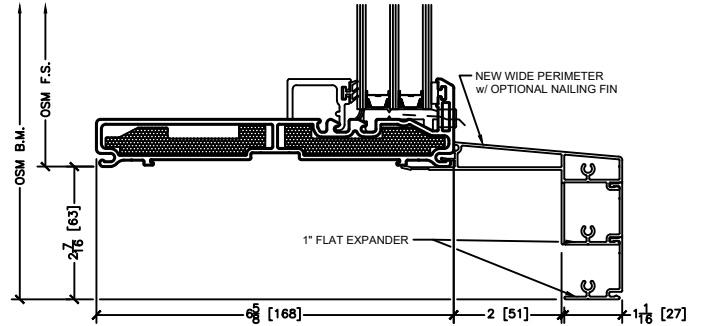
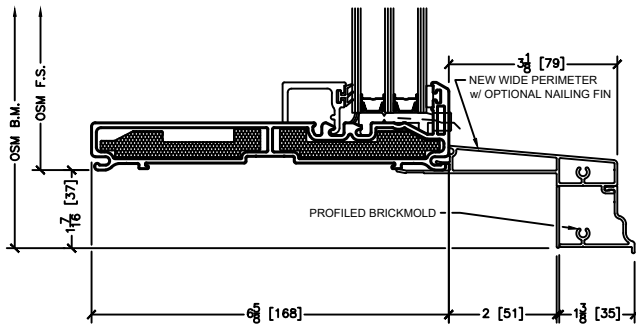
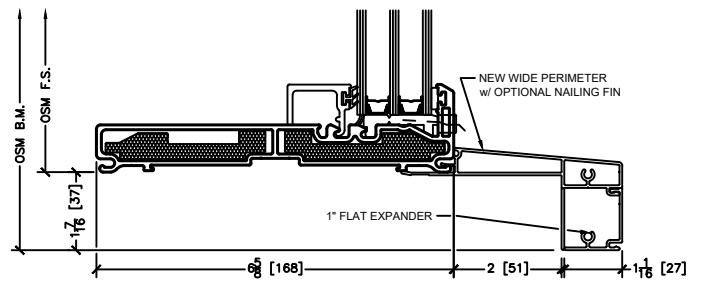
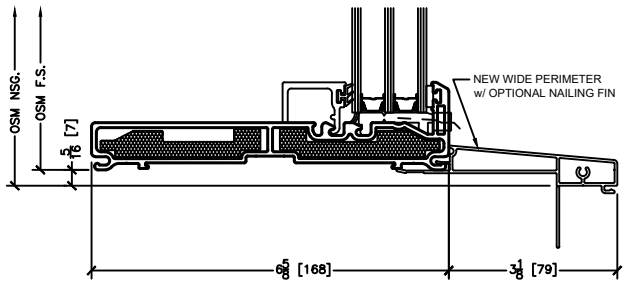
Series 658 Fiberglass Windows

FiberWall™ Fixed

45 Higgins Ave.
Winnipeg MB R3B 0A8
Tel. 1-204-339-6456
Fax 1-204-334-1800
www.duxtonwindows.com

Triple Pane New Wide Perimeter w/ Brickmold Options

Rough openings are 1/2" typical all around





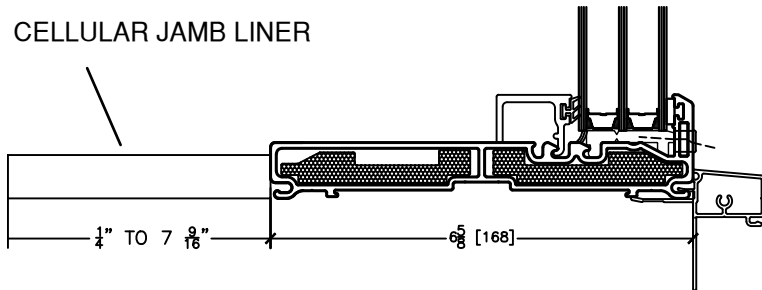
Series 658 Fiberglass Windows

FiberWall™ Fixed

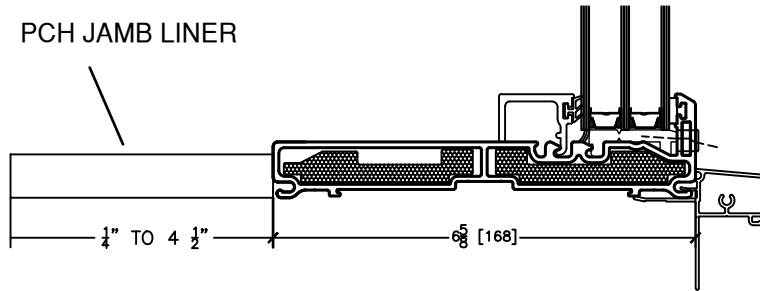
45 Higgins Ave.
Winnipeg MB R3B 0A8
Tel. 1-204-339-6456
Fax 1-204-334-1800
www.duxtonwindows.com

Jamb & Interior Options

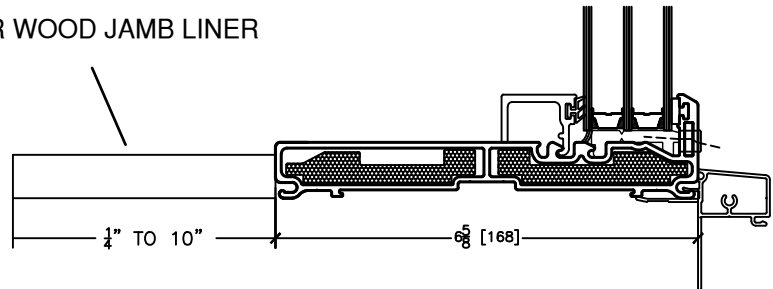
CELLULAR JAMB LINER



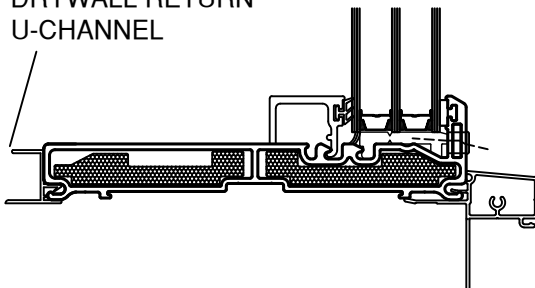
PCH JAMB LINER



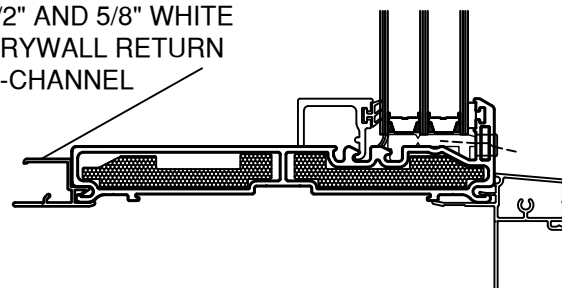
OTHER WOOD JAMB LINER



3/4" WHITE
DRYWALL RETURN
U-CHANNEL



NEW DUAL PURPOSE
1/2" AND 5/8" WHITE
DRYWALL RETURN
U-CHANNEL





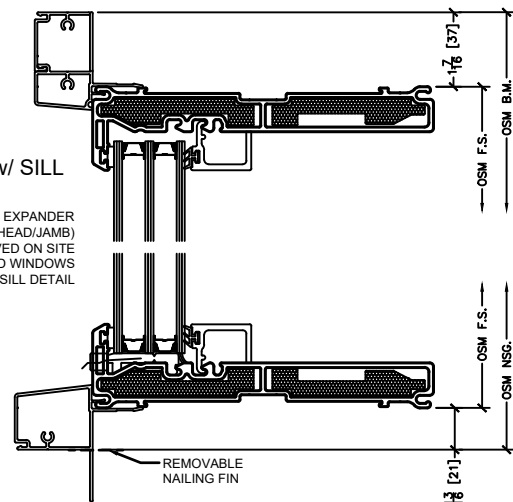
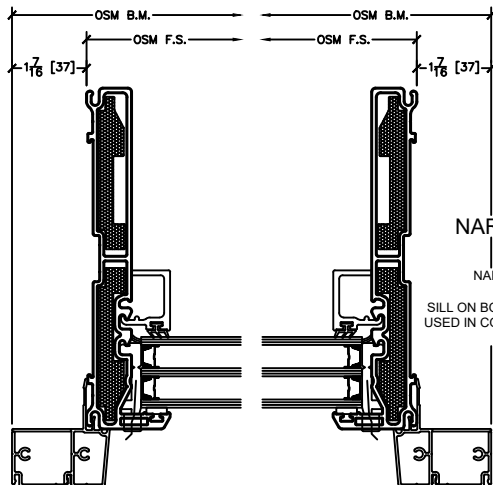
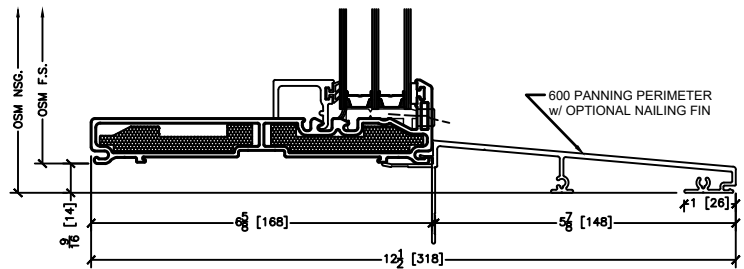
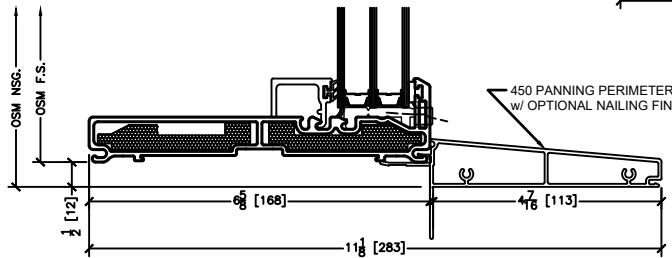
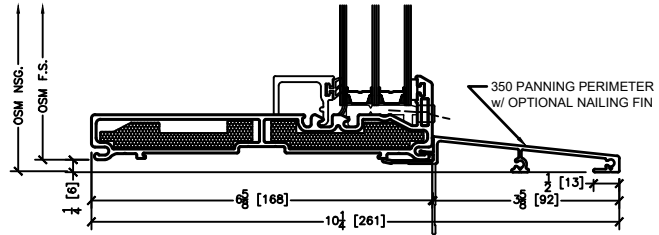
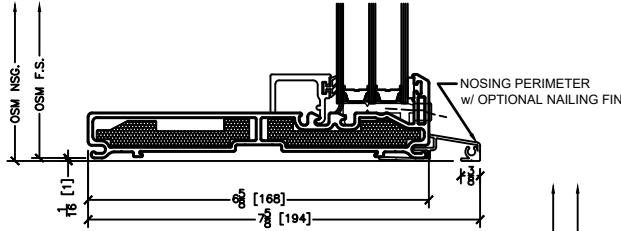
Series 658 Fiberglass Windows

FiberWall™ Fixed

45 Higgins Ave.
 Winnipeg MB R3B 0A8
 Tel. 1-204-339-6456
 Fax 1-204-334-1800
 www.duxtonwindows.com

Other Perimeter Options

Rough openings are 1/2" typical all around





Installation Clip

- A. CORNER ANCHORS – SECURE APPROXIMATELY 4” FROM THE CORNERS
- B. PERIMETER ANCHORS – SPACING SHOULD NOT EXCEED 24” APART CENTER TO CENTER
- C. MULLION AND TRANSOM ANCHORS – ALWAYS ANCHOR WITHIN 4” OF MULLION OR TRANSOM

