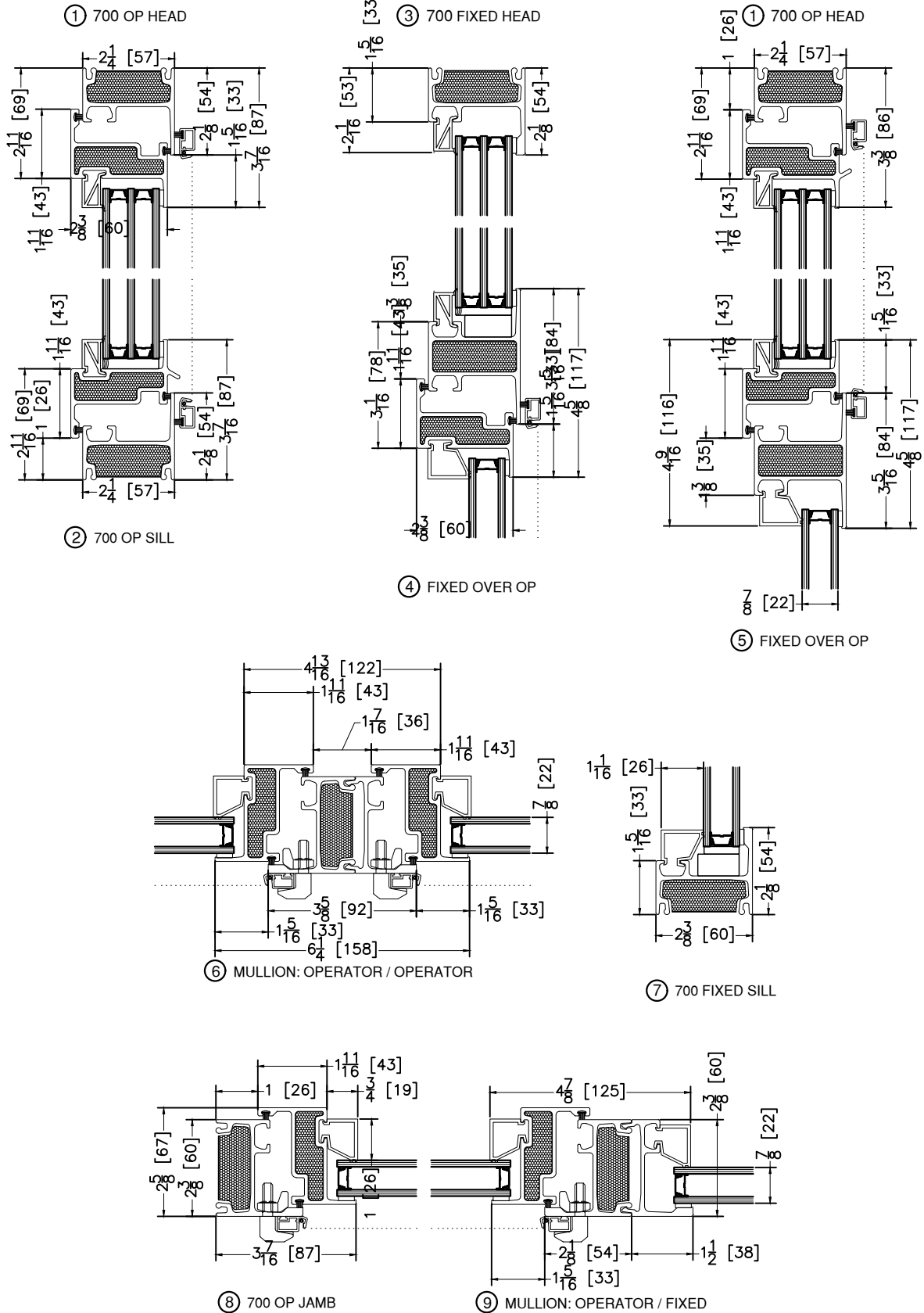


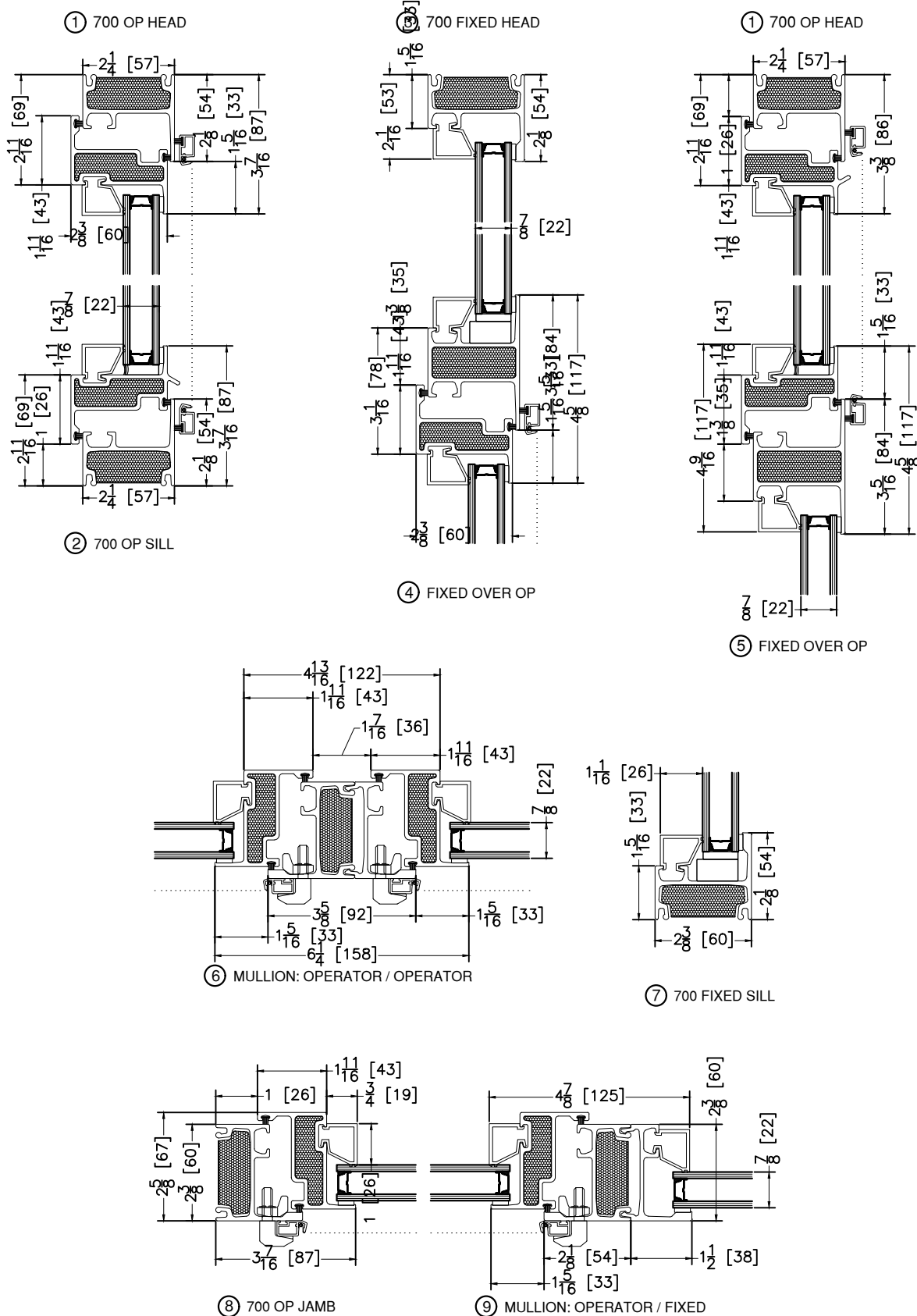
Triple Pane Section Drawings

Rough openings are 1/2" typical all around



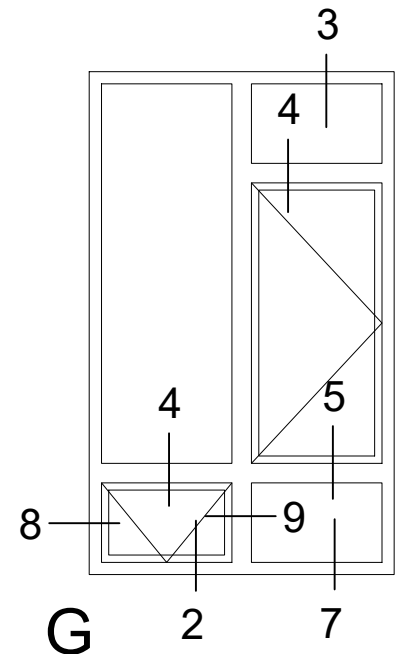
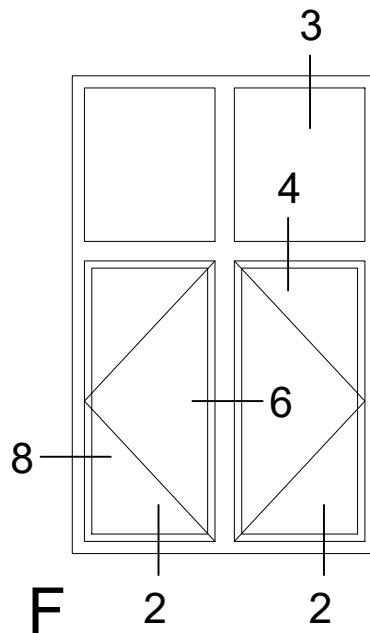
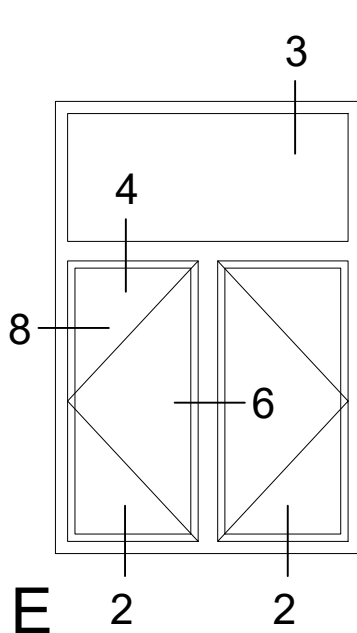
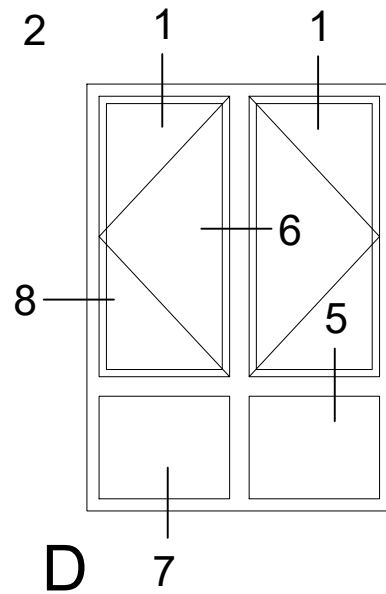
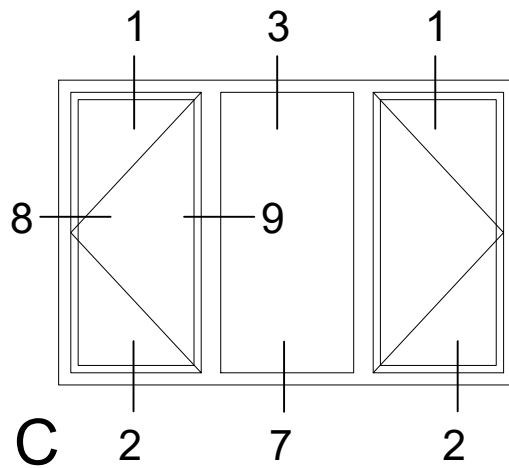
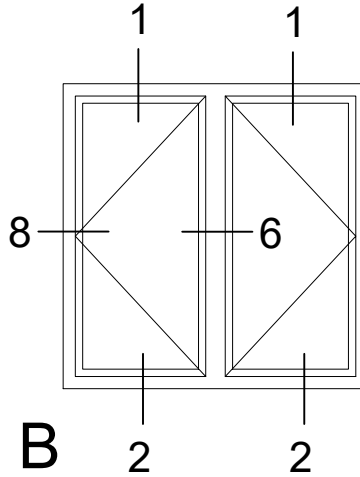
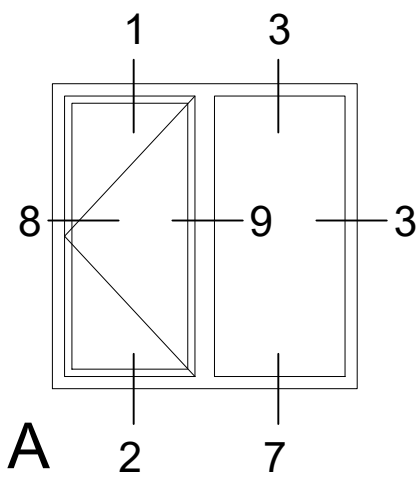
Dual Pane Section Drawings

Rough openings are 1/2" typical all around





### Typical Elevations





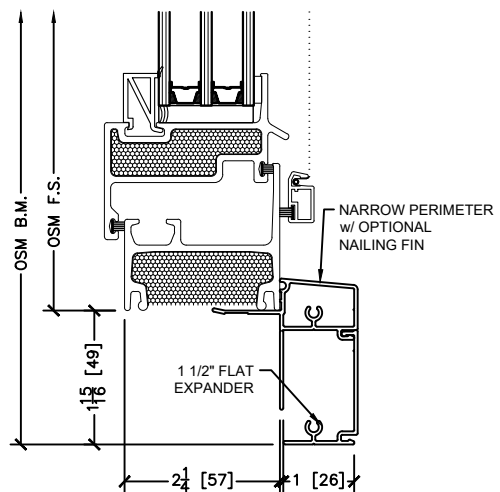
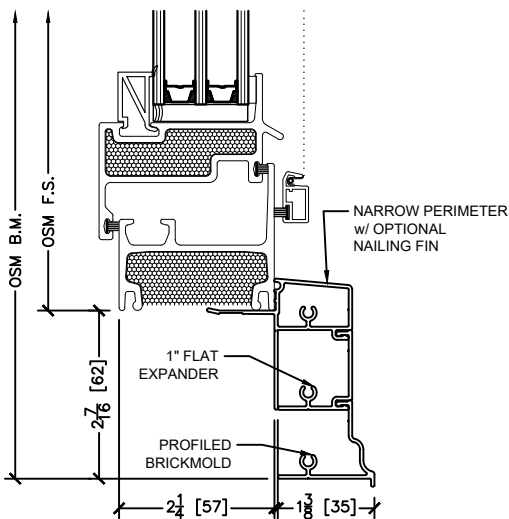
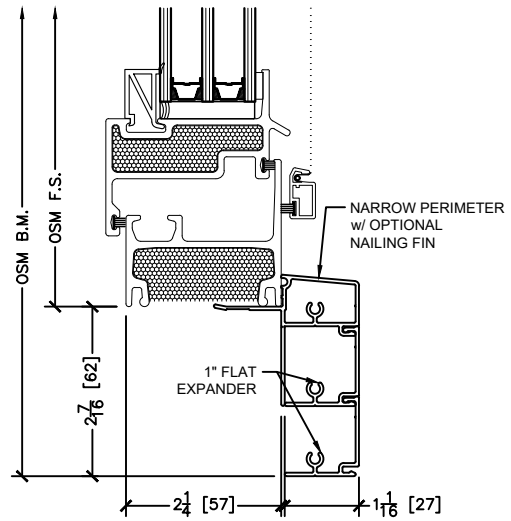
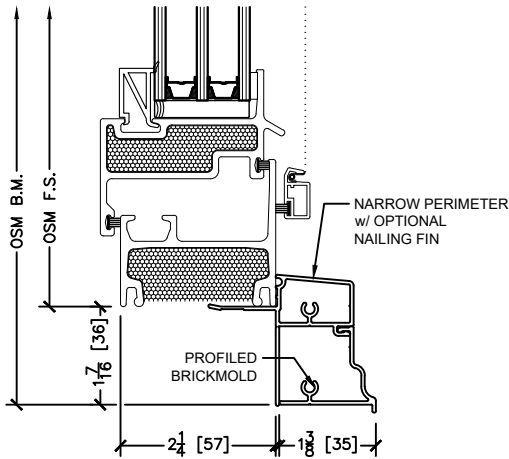
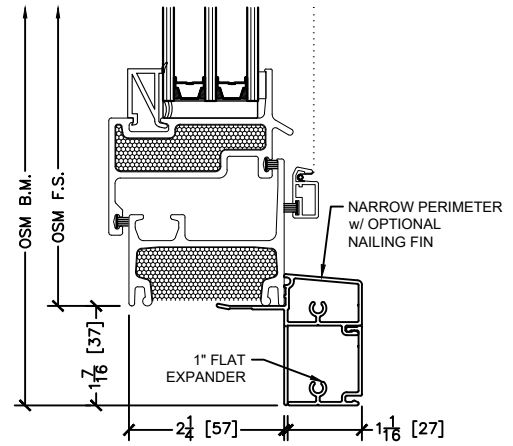
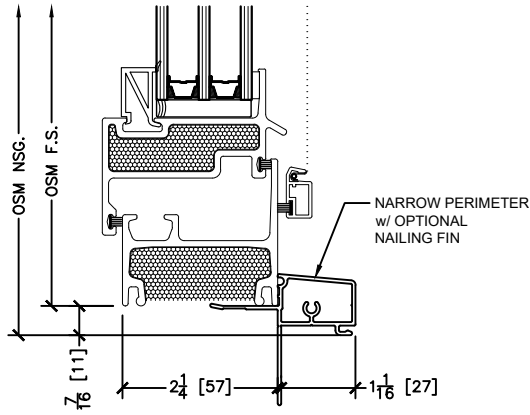
# Series 700 Fiberglass Windows

Hoppers, Inswing, Casement, & Awning

45 Higgins Ave.  
Winnipeg MB R3B 0A8  
Tel. 1-204-339-6456  
Fax 1-204-334-1800  
www.duxtonwindows.com

## Triple Pane Narrow Perimeter w/ Brickmold Options

Rough openings are 1/2" typical all around





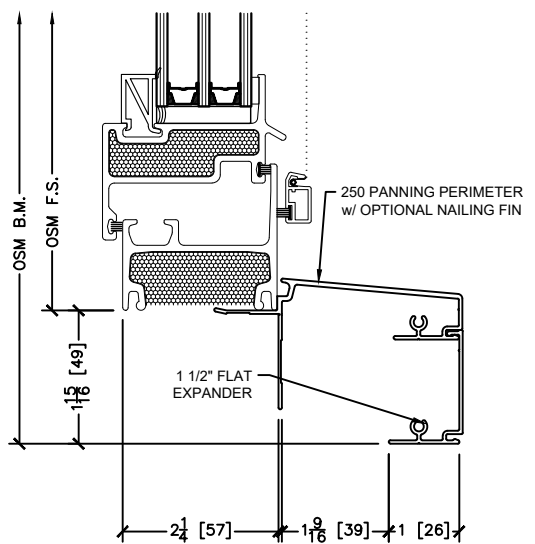
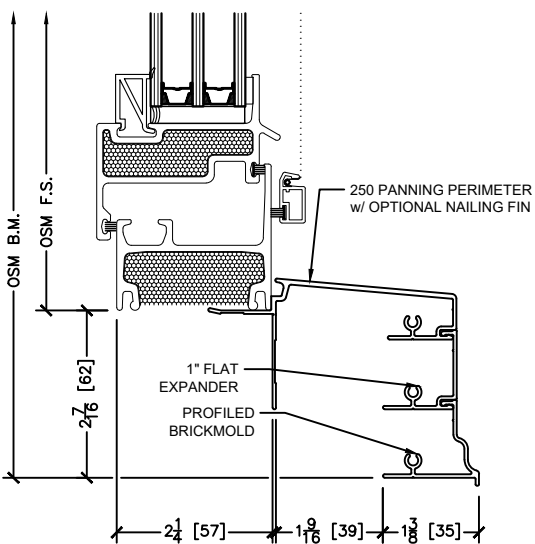
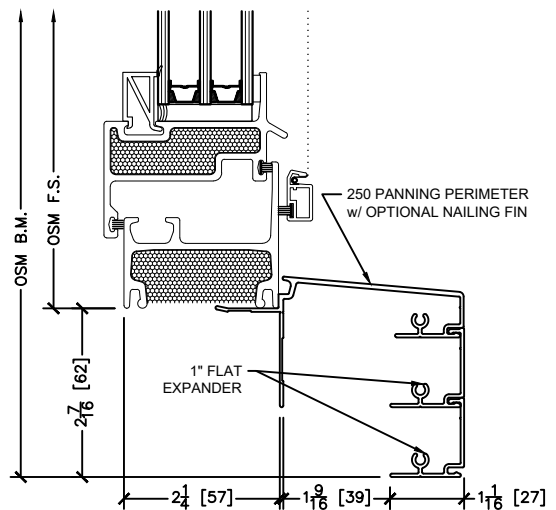
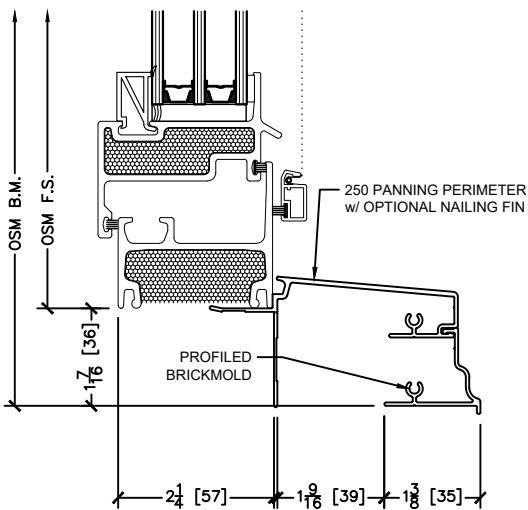
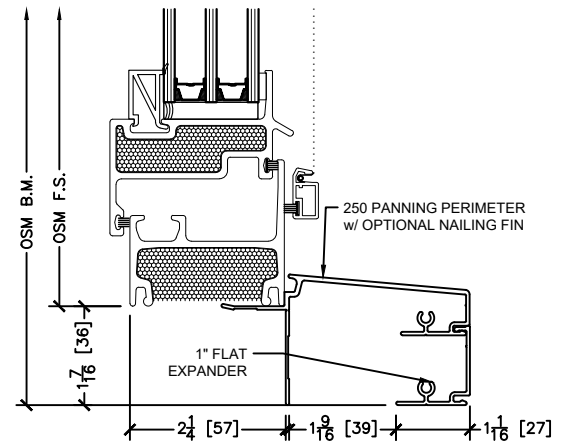
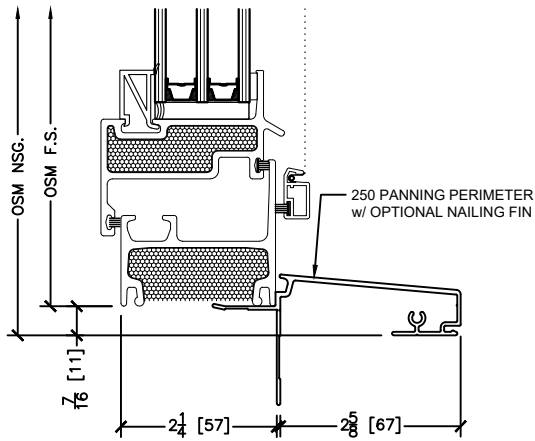
# Series 700 Fiberglass Windows

Hoppers, Inswing, Casement, & Awning

45 Higgins Ave.  
 Winnipeg MB R3B 0A8  
 Tel. 1-204-339-6456  
 Fax 1-204-334-1800  
 www.duxtonwindows.com

## Triple Pane 250 Panning Perimeter w/ Brickmold Options

Rough openings are 1/2" typical all around





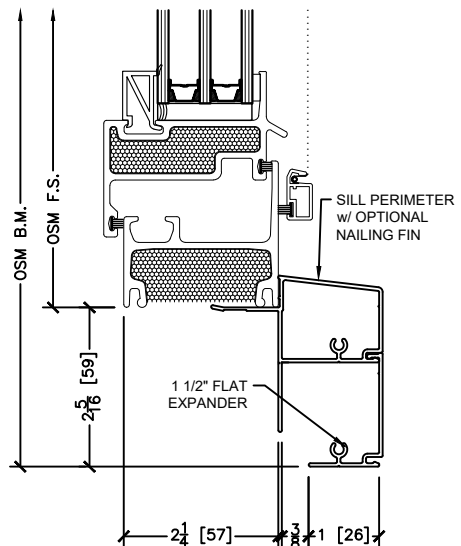
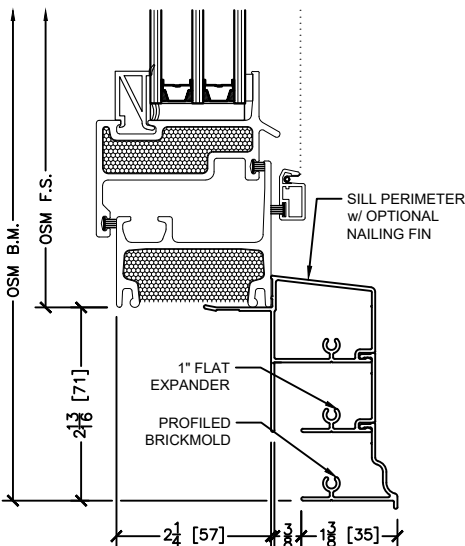
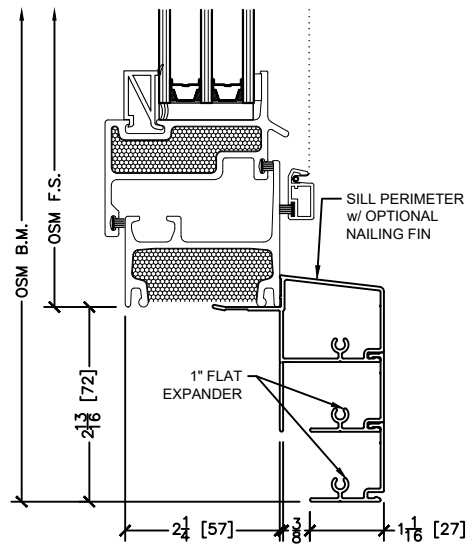
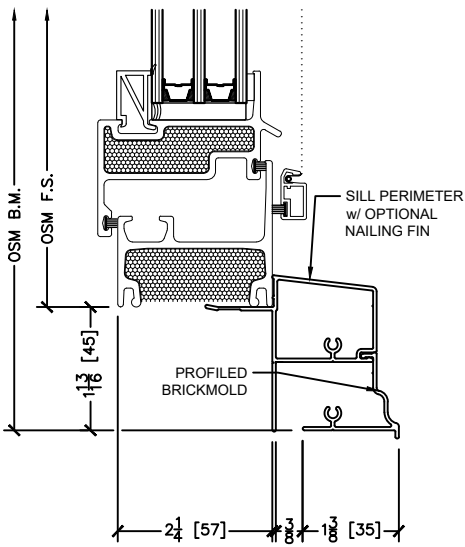
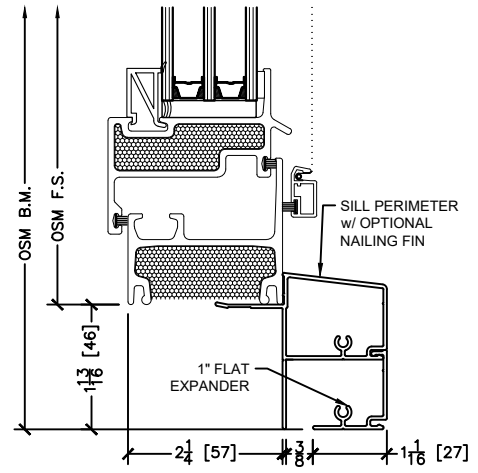
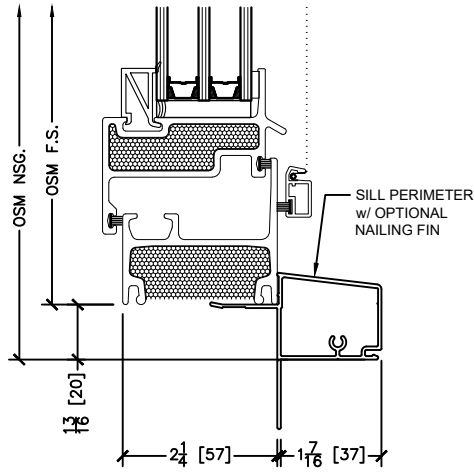
# Series 700 Fiberglass Windows

Hoppers, Inswing, Casement, & Awning

45 Higgins Ave.  
Winnipeg MB R3B 0A8  
Tel. 1-204-339-6456  
Fax 1-204-334-1800  
www.duxtonwindows.com

## Triple Pane Sill Perimeter w/ Brickmold Options

Rough openings are 1/2" typical all around





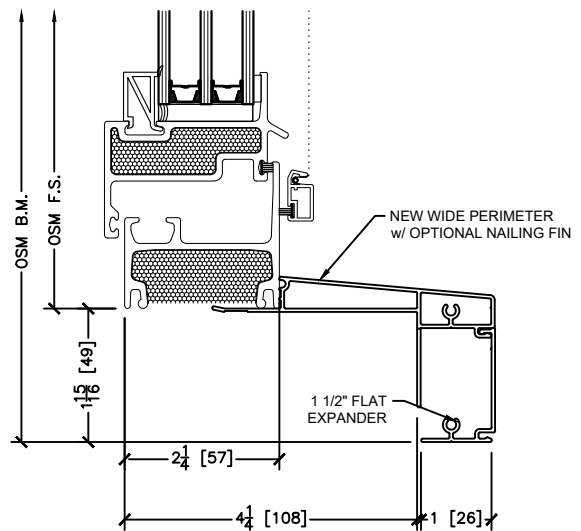
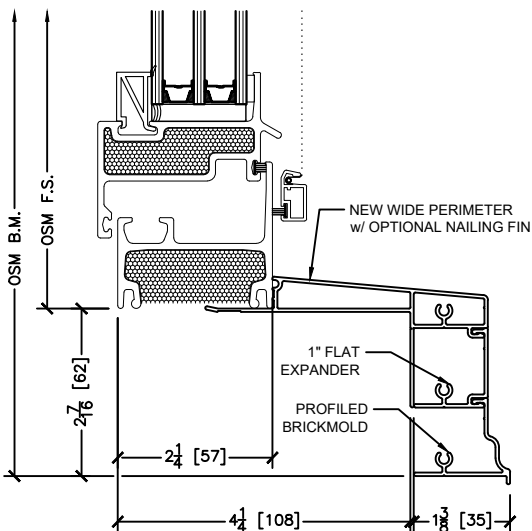
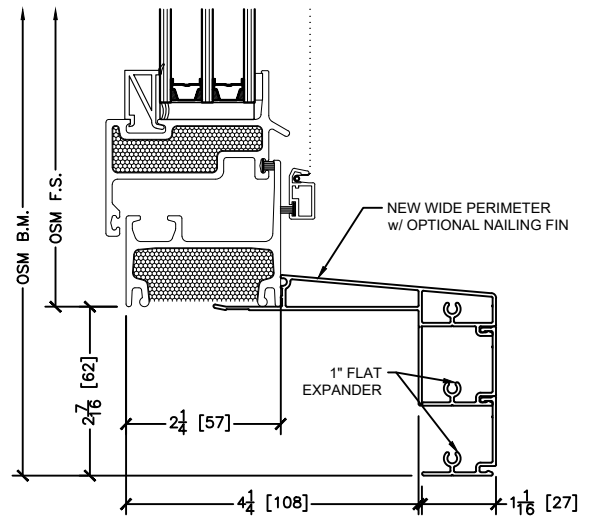
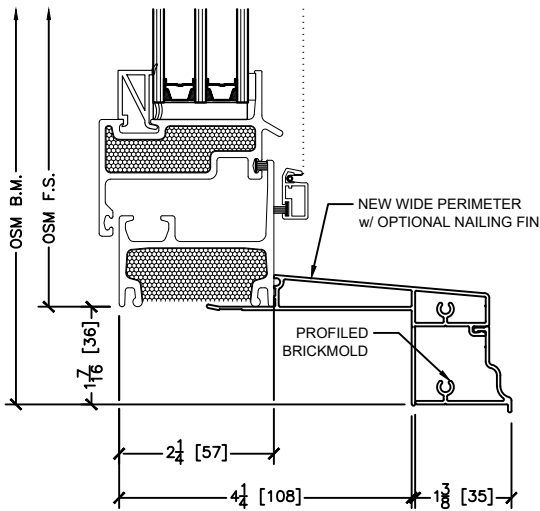
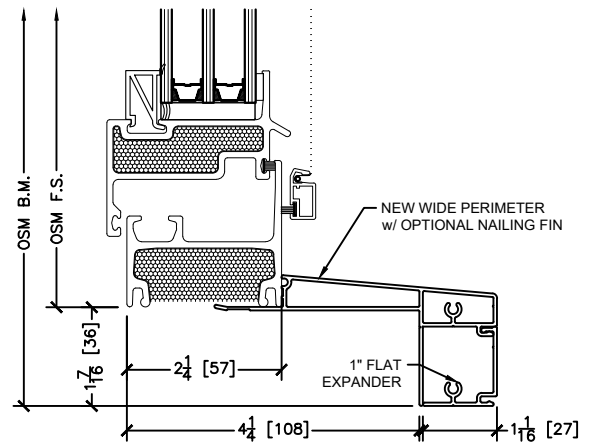
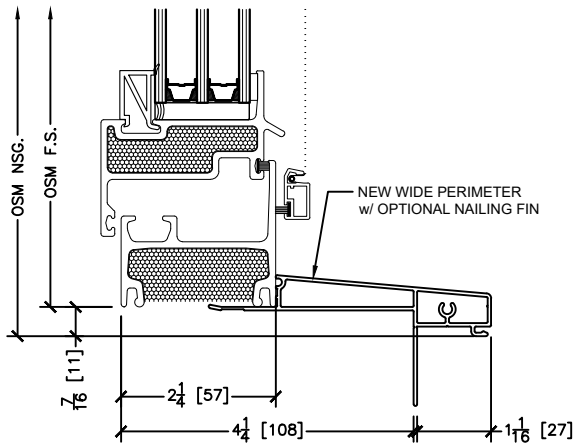
# Series 700 Fiberglass Windows

Hoppers, Inswing, Casement, & Awning

45 Higgins Ave.  
 Winnipeg MB R3B 0A8  
 Tel. 1-204-339-6456  
 Fax 1-204-334-1800  
 www.duxtonwindows.com

## Triple Pane New Wide Perimeter w/ Brickmold Options

Rough openings are 1/2" typical all around



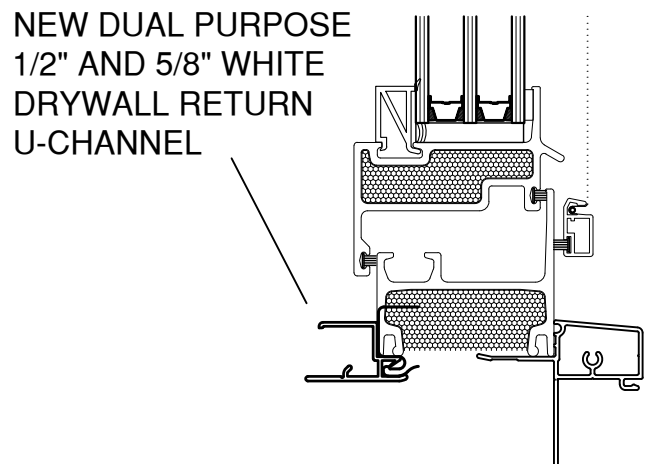
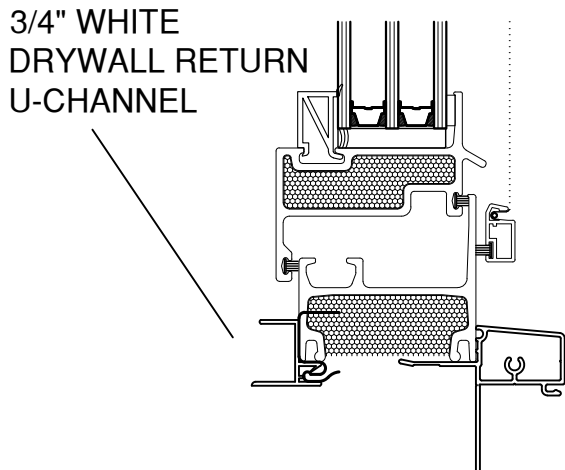
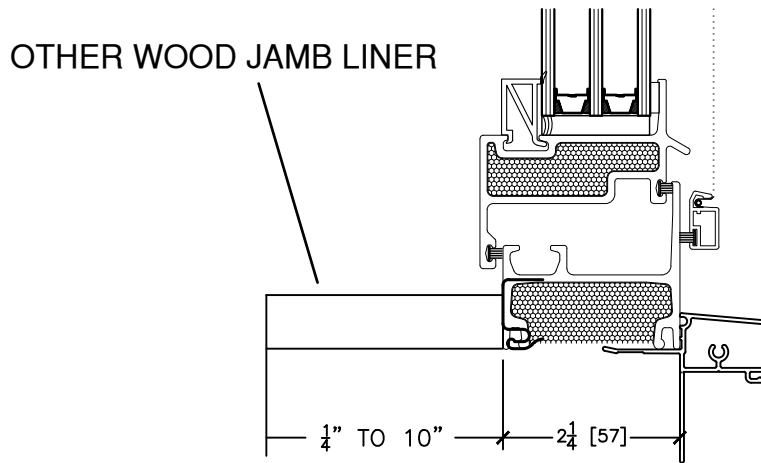
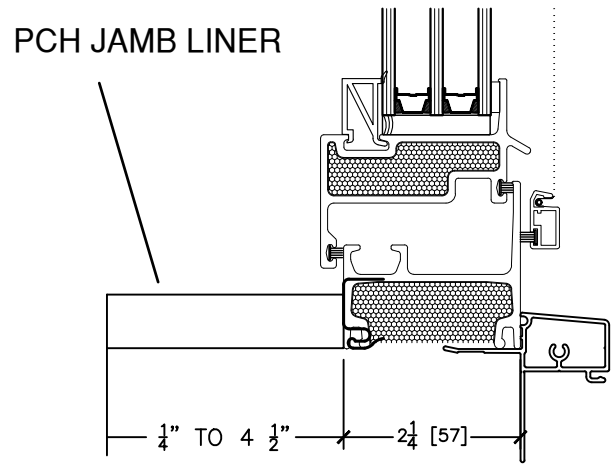
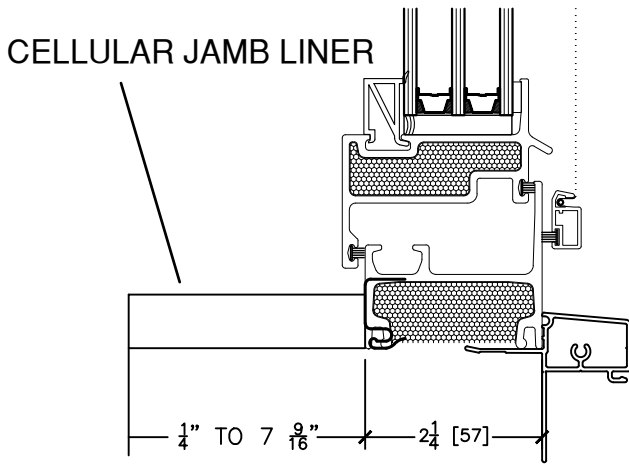


# Series 700 Fiberglass Windows

Hoppers, Inswing, Casement, & Awning

45 Higgins Ave.  
Winnipeg MB R3B 0A8  
Tel. 1-204-339-6456  
Fax 1-204-334-1800  
www.duxtonwindows.com

## Jamb and Interior Options







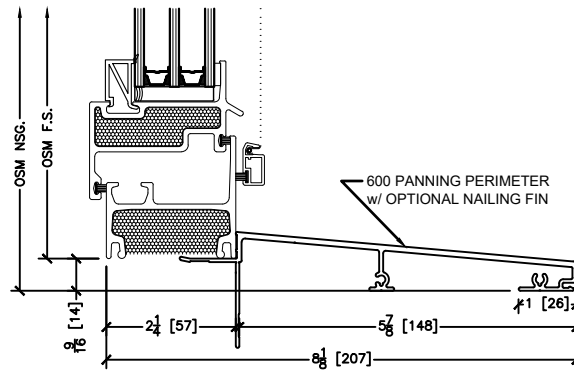
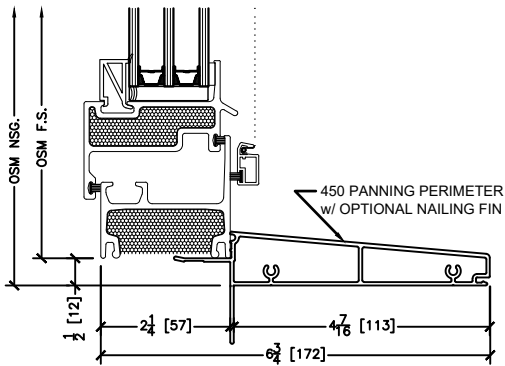
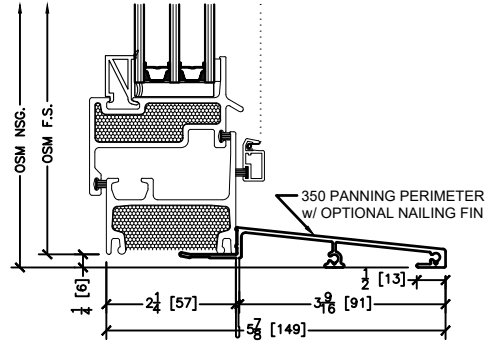
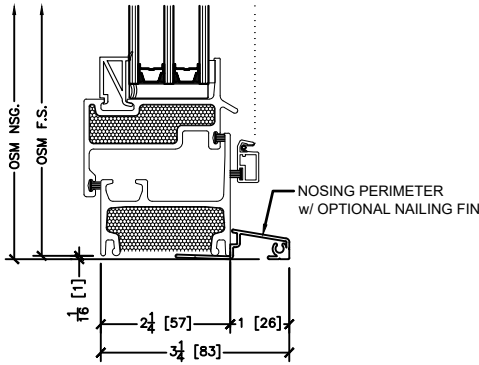
# Series 700 Fiberglass Windows

Hoppers, Inswing, Casement, & Awning

45 Higgins Ave.  
 Winnipeg MB R3B 0A8  
 Tel. 1-204-339-6456  
 Fax 1-204-334-1800  
 www.duxtonwindows.com

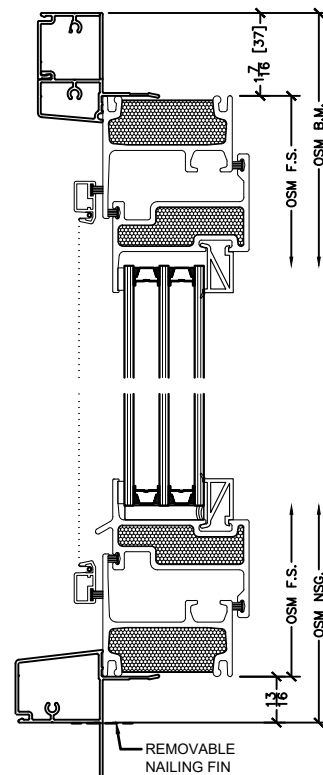
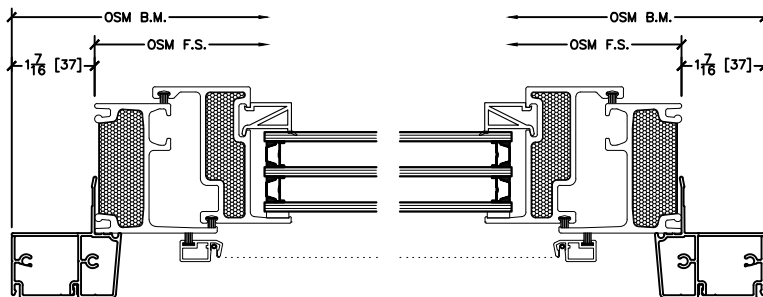
## Other Perimeter Options

Rough openings are 1/2" typical all around



### NARROW PERIMETER w/ SILL

NARROW PERIMETER WITH 1" FLAT EXPANDER  
 (HEAD/JAMB)  
 SILL ON BOTTOM, NAILING FLANGE REMOVED ON SITE  
 USED IN CONJUNCTION TO REPLACE WOOD WINDOWS  
 WITH A SILL DETAIL





## Series 700 Fiberglass Windows

Hoppers, Inswing, Casement, & Awning

45 Higgins Ave.  
Winnipeg MB R3B 0A8  
Tel. 1-204-339-6456  
Fax 1-204-334-1800  
www.duxtonwindows.com

### Installation Clip

## Installation Clips

CORNER ANCHORS – SECURE APPROXIMATELY 4” FROM THE CORNERS

PERIMETER ANCHORS – SPACING SHOULD NOT EXCEED 24” APART CENTER TO CENTER

MULLION AND TRANSOM ANCHORS – ALWAYS ANCHOR WITHIN 4” OF MULLION OR TRANSOM

INSTALL CLIPS THAT SNAP INTO PLACE NO SCREWS IN FRAME (D)

